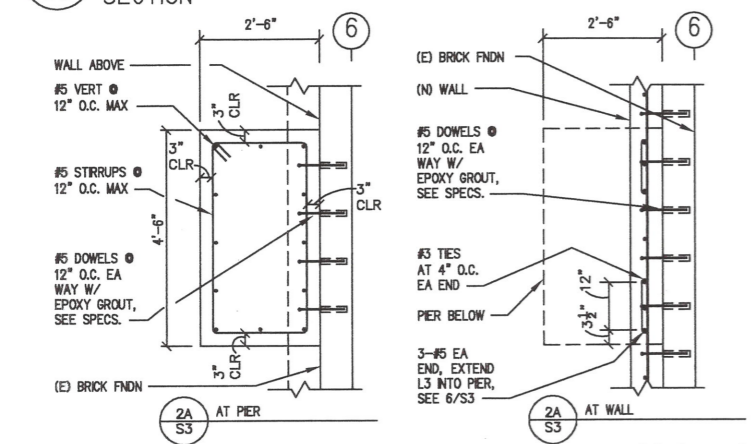
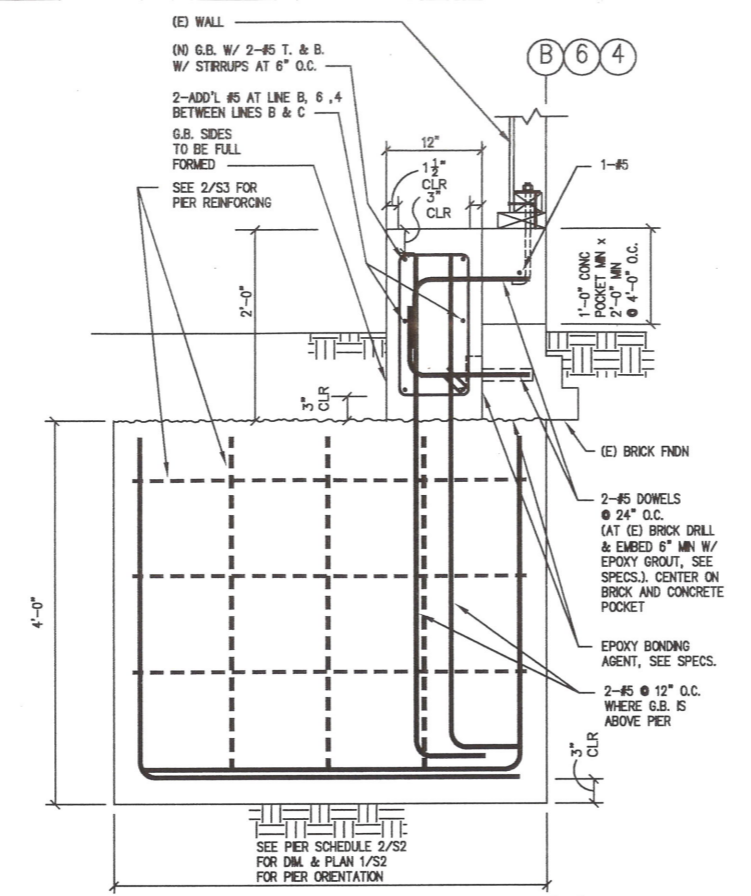


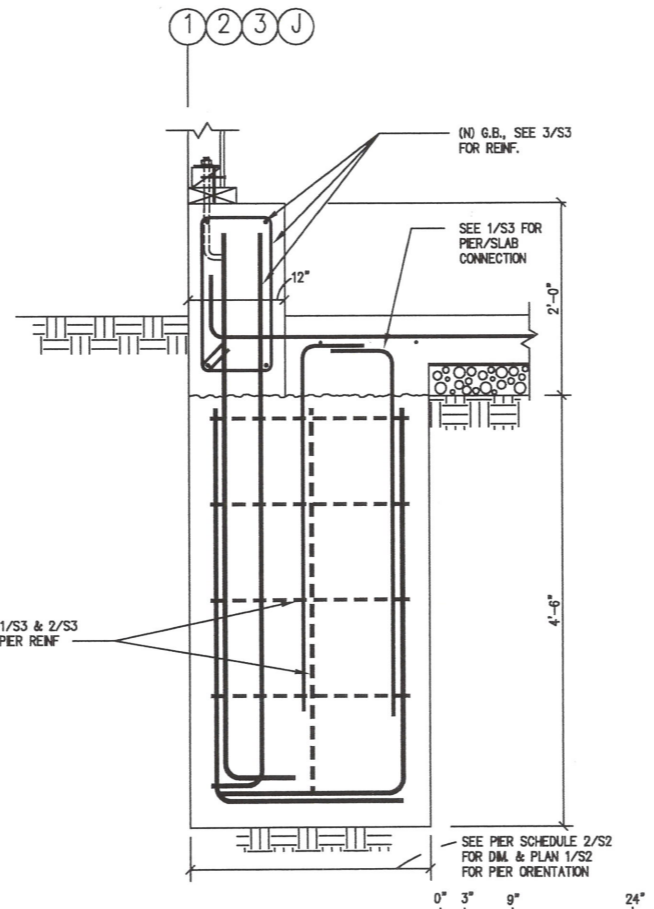
1 NEW CONCRETE UNDERPINNING SECTION
S3
1"=1'-0"



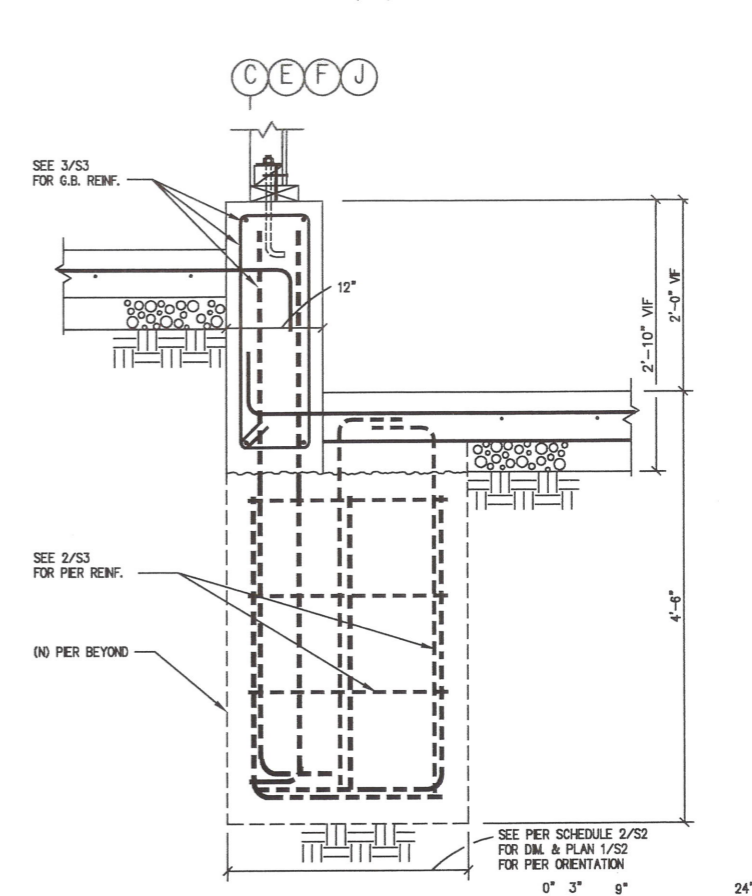
2 NEW HAND-DUG PIER & WALL PLAN
S3
1/2"=1'-0"



3 NEW SISTERED G.B. & HAND-DUG PIER SECTION
S3
1"=1'-0"

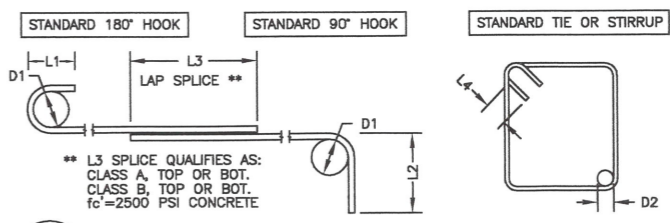


4 NEW FOUNDATION SECTION
S3
1"=1'-0"



5 NEW FOUNDATION SECTION
S3
1"=1'-0"

STANDARD BEND DIAMETERS, AND HOOK & LAP LENGTHS						
BAR	D1	D2	L1	L2	L3	L4
#3	2 1/2"	1 1/2"	4"	6"	32"	3 3/4"
#4	3"	2"	4 1/2"	8"	42"	5"
#5	3 3/4"	2 1/2"	5"	9"	52"	6 1/4"



6 TYP. REBAR BENDS, LAPS, & HKS.
S3
NO SCALE

