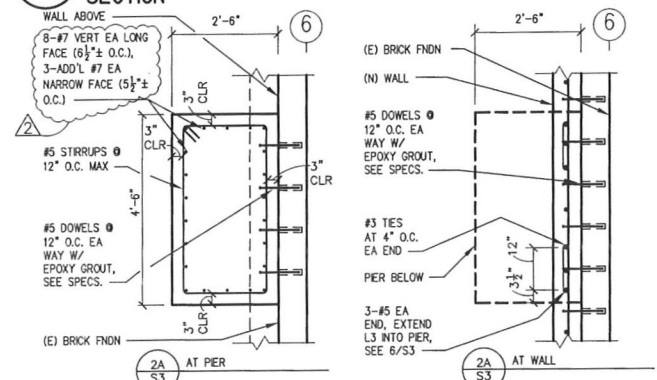
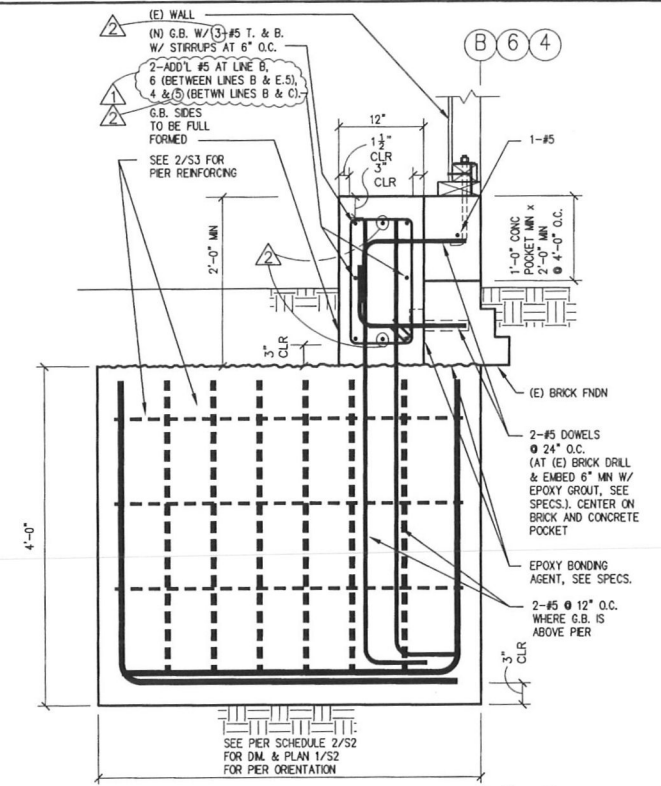


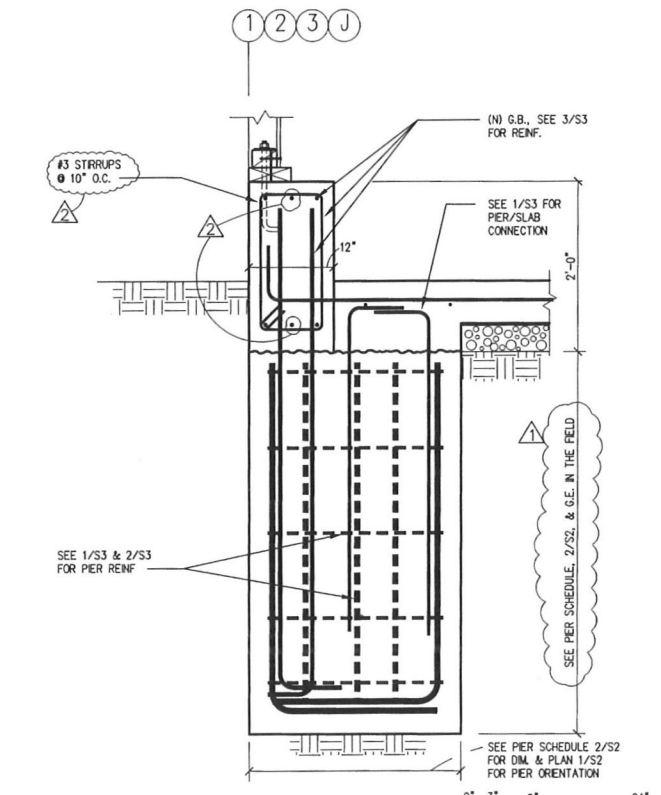
1 NEW CONCRETE UNDERPINNING
S3 SECTION
1"=1'-0"



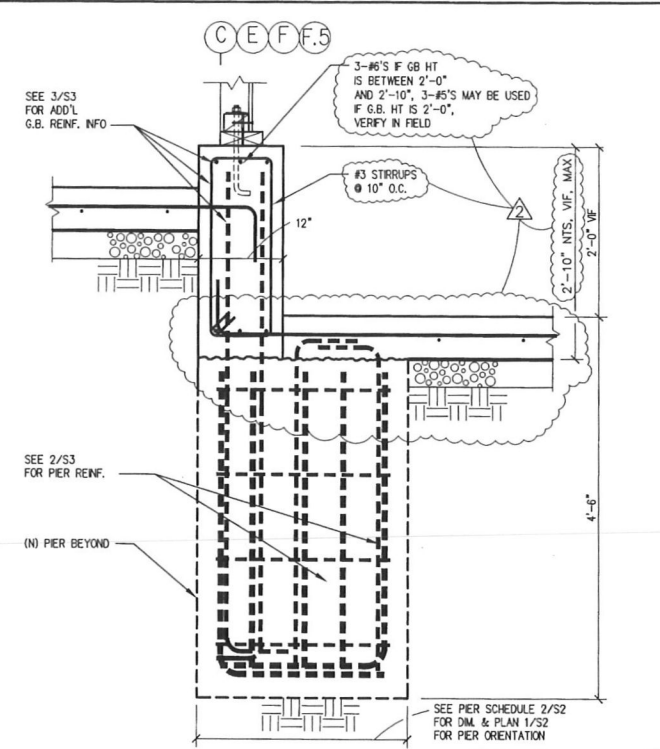
2 NEW HAND-DUG PIER & WALL
S3 PLAN
1/2"=1'-0"



3 NEW SISTERED G.B. & HAND-DUG PIER
S3 SECTION
1"=1'-0"

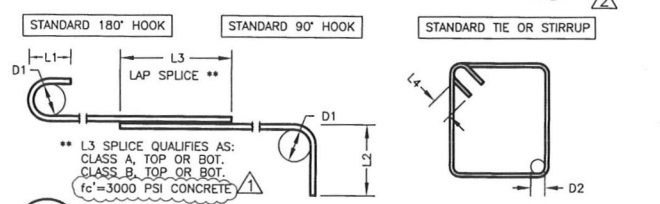


4 NEW G.B., SLAB, & HAND-DUG PIER
S3 SECTION
1"=1'-0"

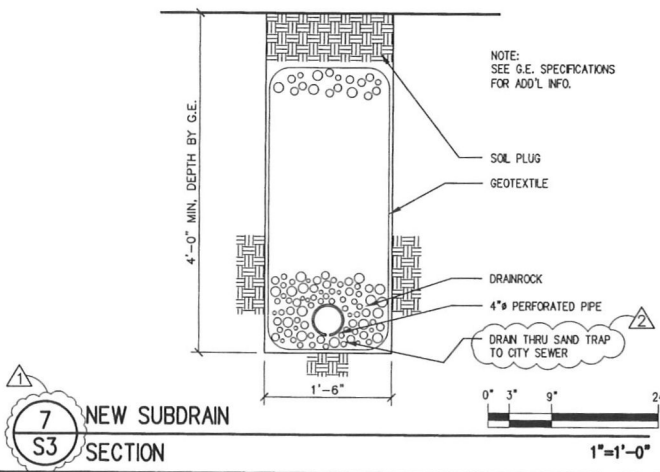


5 NEW G.B., SLAB, & HAND-DUG PIER
S3 SECTION
1"=1'-0"

STANDARD BEND DIAMETERS, AND HOOK & LAP LENGTHS						
BAR	D1	D2	L1	L2	L3	L4
#3	2 1/2"	1 1/2"	4"	6"	32"	3 3/4"
#4	3"	2"	4 1/2"	8"	42"	5"
#5	3 1/2"	2 1/2"	5"	9"	52"	6 1/4"
#6	4 1/2"	4 1/2"	6"	12"	62"	7 1/2"
#7	5 1/2"	5 1/2"	7"	14"	90"	8 3/4"



6 TYP. REBAR BENDS, LAPS, & HKS.
S3 SECTION
NO SCALE



7 NEW SUBDRAIN
S3 SECTION
1"=1'-0"

File: 1873_S3R2.DWG

REVISIONS	BY
06/14/11	SF
06/22/11	SF

PER 4/21/11 S308 PLAN REVISIONS
PER 4/21/11 S308 MTS W/ USE & PER

GEOTECHNICAL ENGINEER:
LAWRENCE B. KARP
100 TRES MESAS
ORINDA, CALIFORNIA 94563
(925) 254-1222

REGISTERED PROFESSIONAL ENGINEER - CIVIL
LAWRENCE B. KARP
No. 452
Exp. 12/31/11

DETAILS

VOLUNTARY PARTIAL SEISMIC RETROFIT FNDN & SUBSTRUCTURE
2175 GREEN STREET
SAN FRANCISCO, CA

OWNERSHIP OF DOCUMENTS
THESE DRAWINGS ARE INSTRUMENTS OF PROFESSIONAL SERVICE PREPARED BY THE FIRM OF JOHNSON B. KARDON + COMPANY, AN ARCHITECTURAL ENGINEERING FIRM, AND ARE NOT TO BE USED, IN WHOLE OR IN PART, FOR ANY PROJECT OTHER THAN THAT AUTHORIZED BY JOHNSON B. KARDON + COMPANY, ARCHITECTURAL ENGINEERS.
JOHNSON B. KARDON + COMPANY STRUCTURAL ENGINEERS
COPYRIGHT 2011
JOHNSON B. KARDON + COMPANY STRUCTURAL ENGINEERS

REGISTERED PROFESSIONAL ENGINEER - CIVIL
JOHNSON B. KARDON
No. 2305
Exp. 12/31/11

Date 05/02/2011
Scale AS NOTED
Drawn SF
Job 1873
Sheet
S3
of 6 Sheets

JUN 2 2011