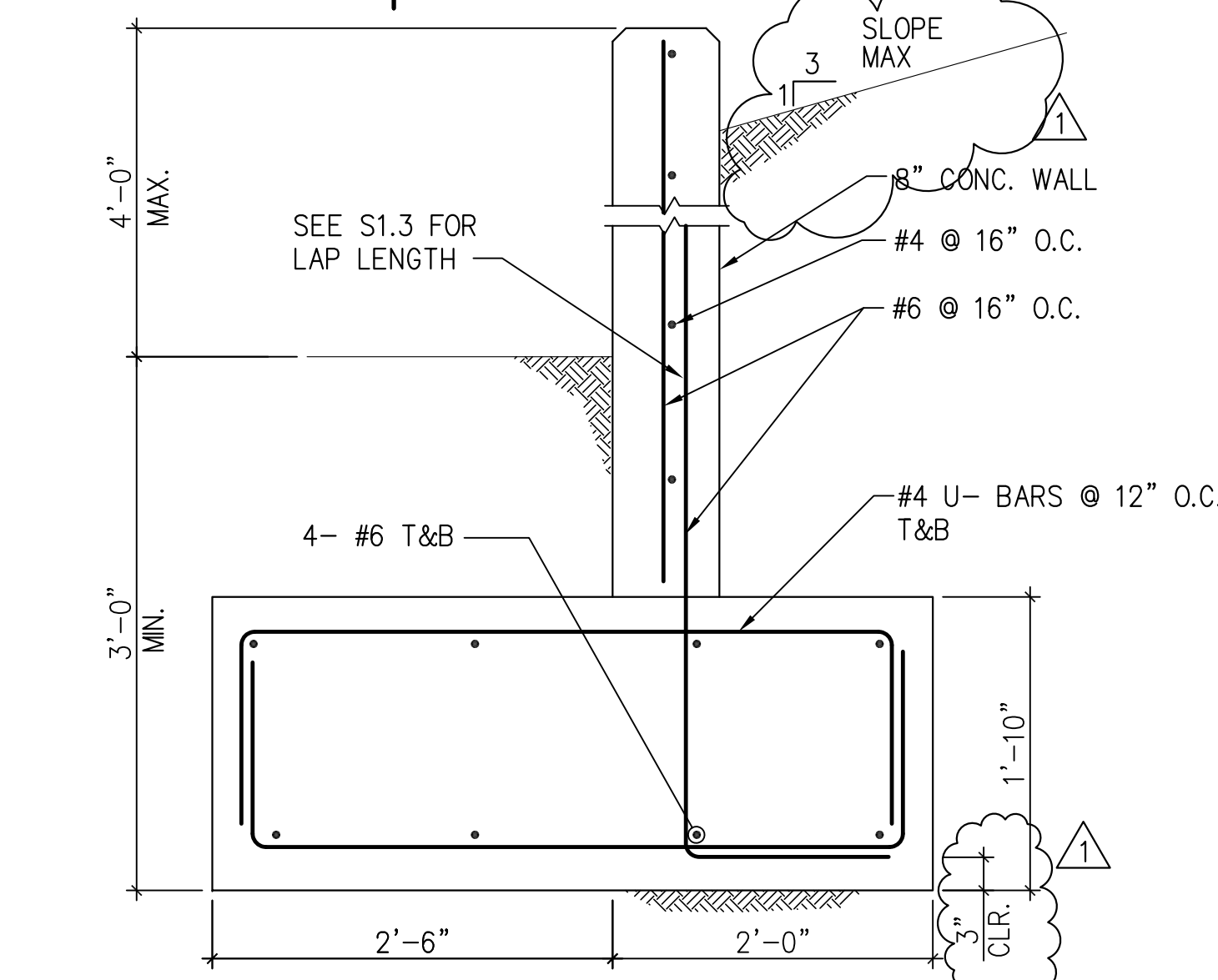
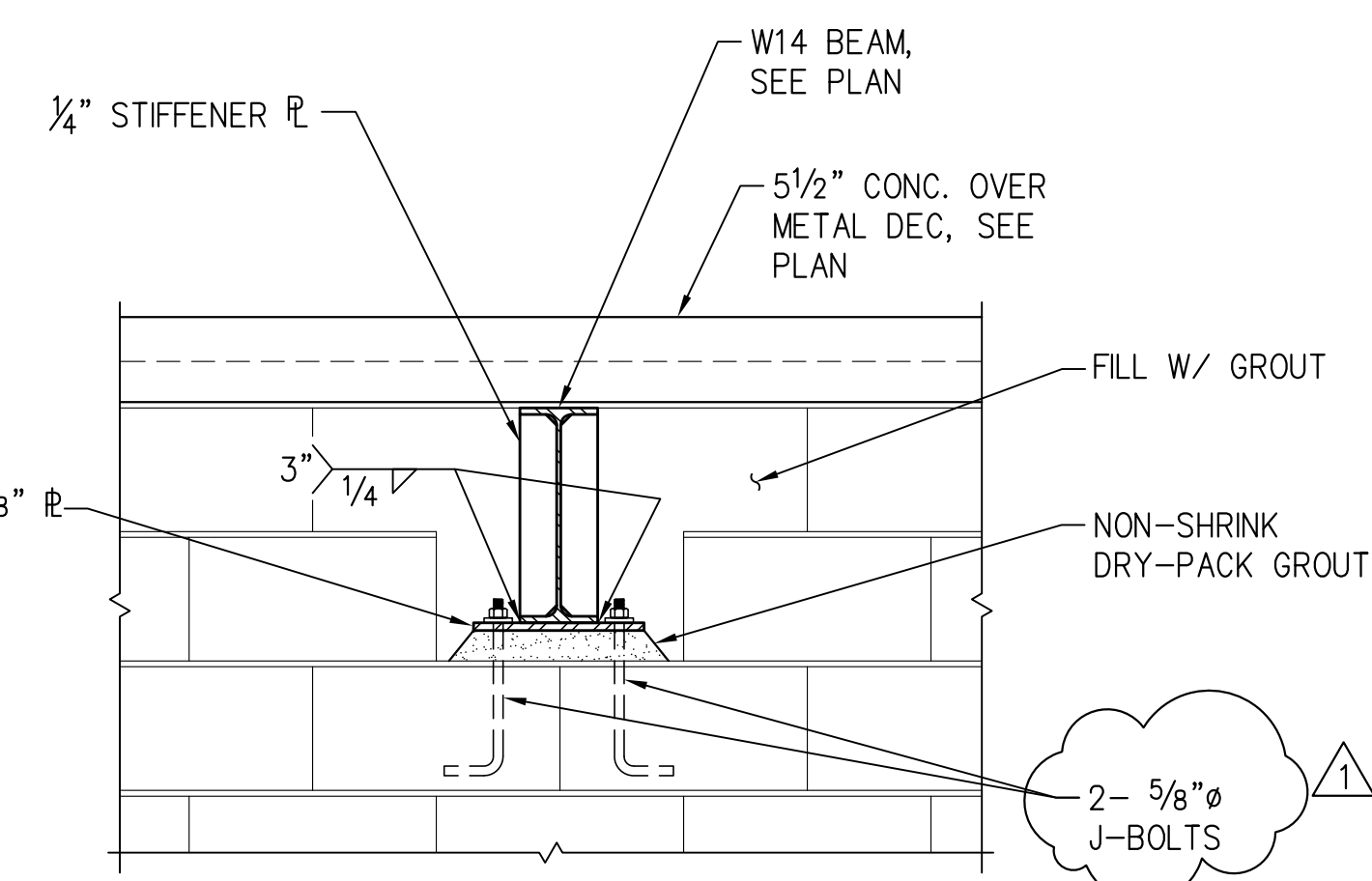


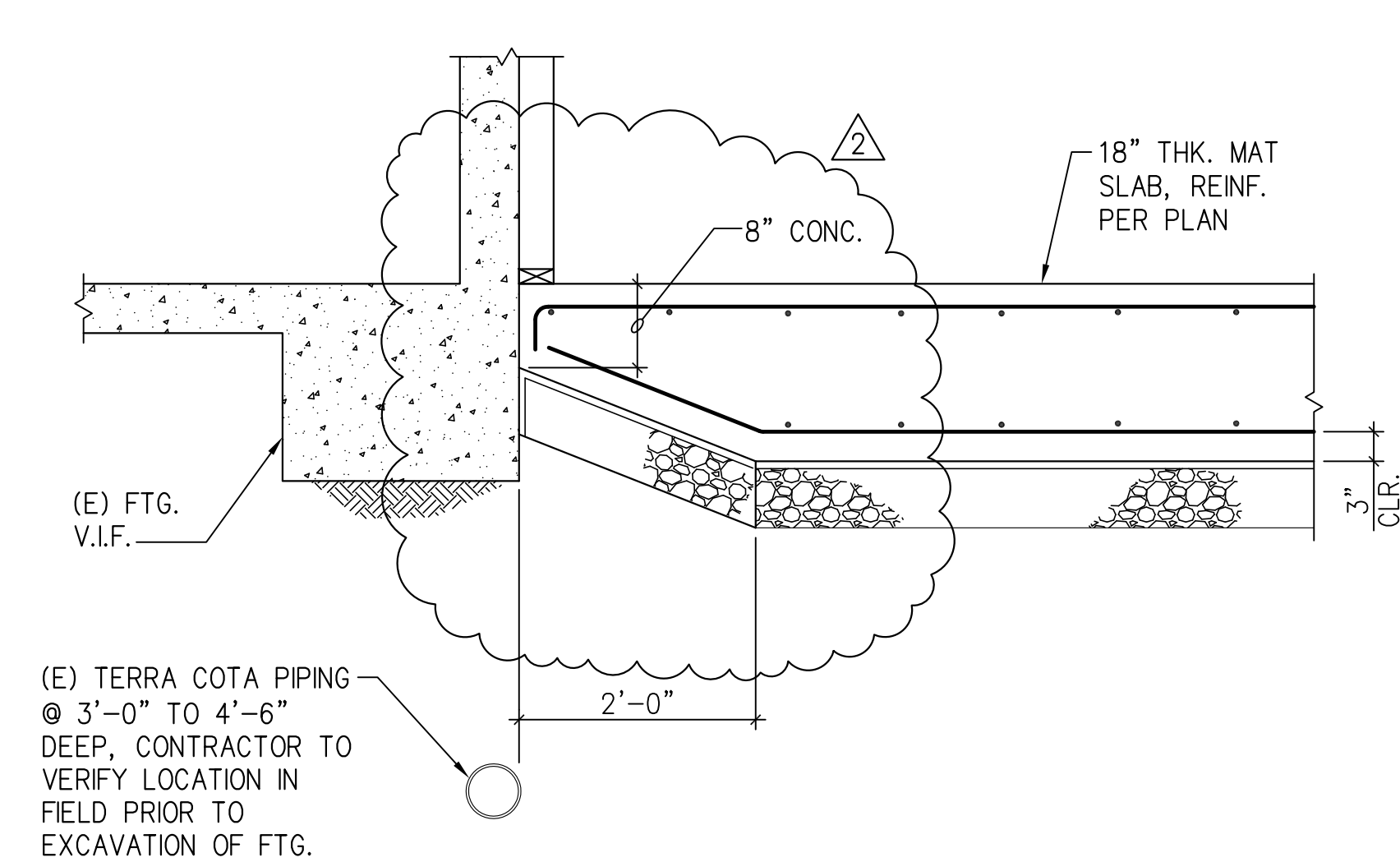
14 S4.1 6'-0" CONCRETE RETAINING WALL 1" = 1'-0"



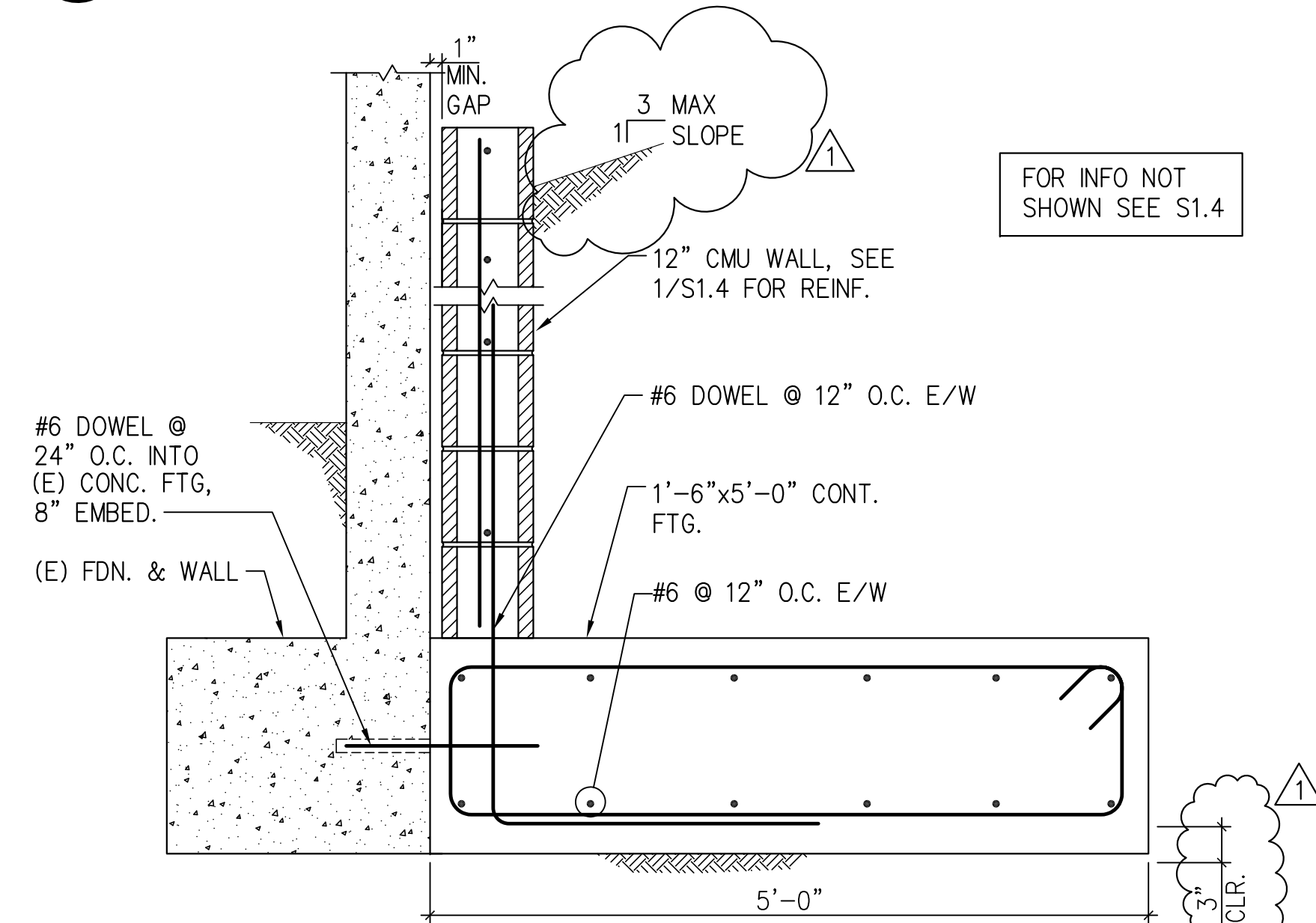
10 S4.1 4'-0" CONCRETE RETAINING WALL 1" = 1'-0"



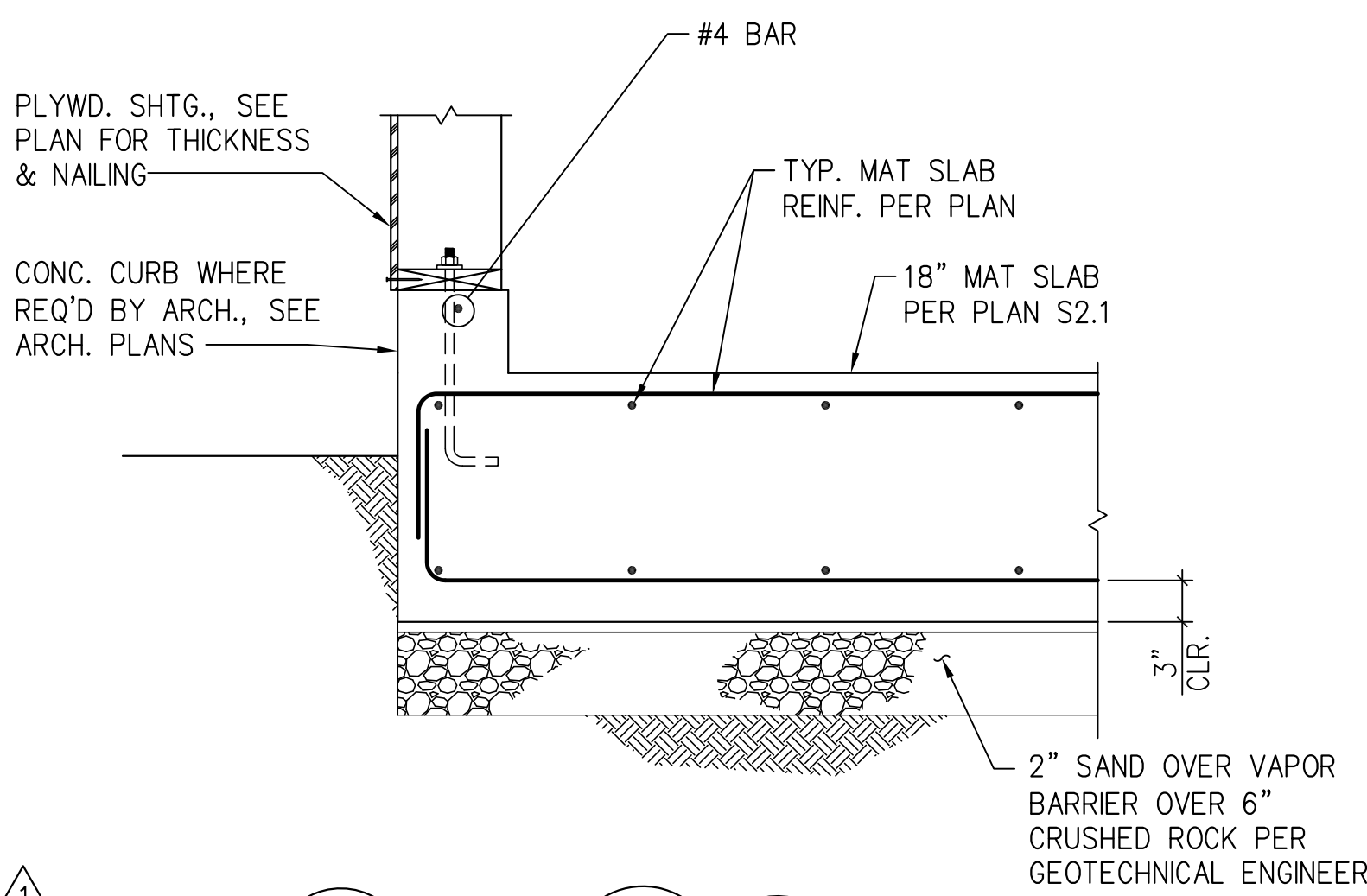
13 S4.1 STEEL BEAM TO CMU WALL @ COURTYARD 1" = 1'-0"



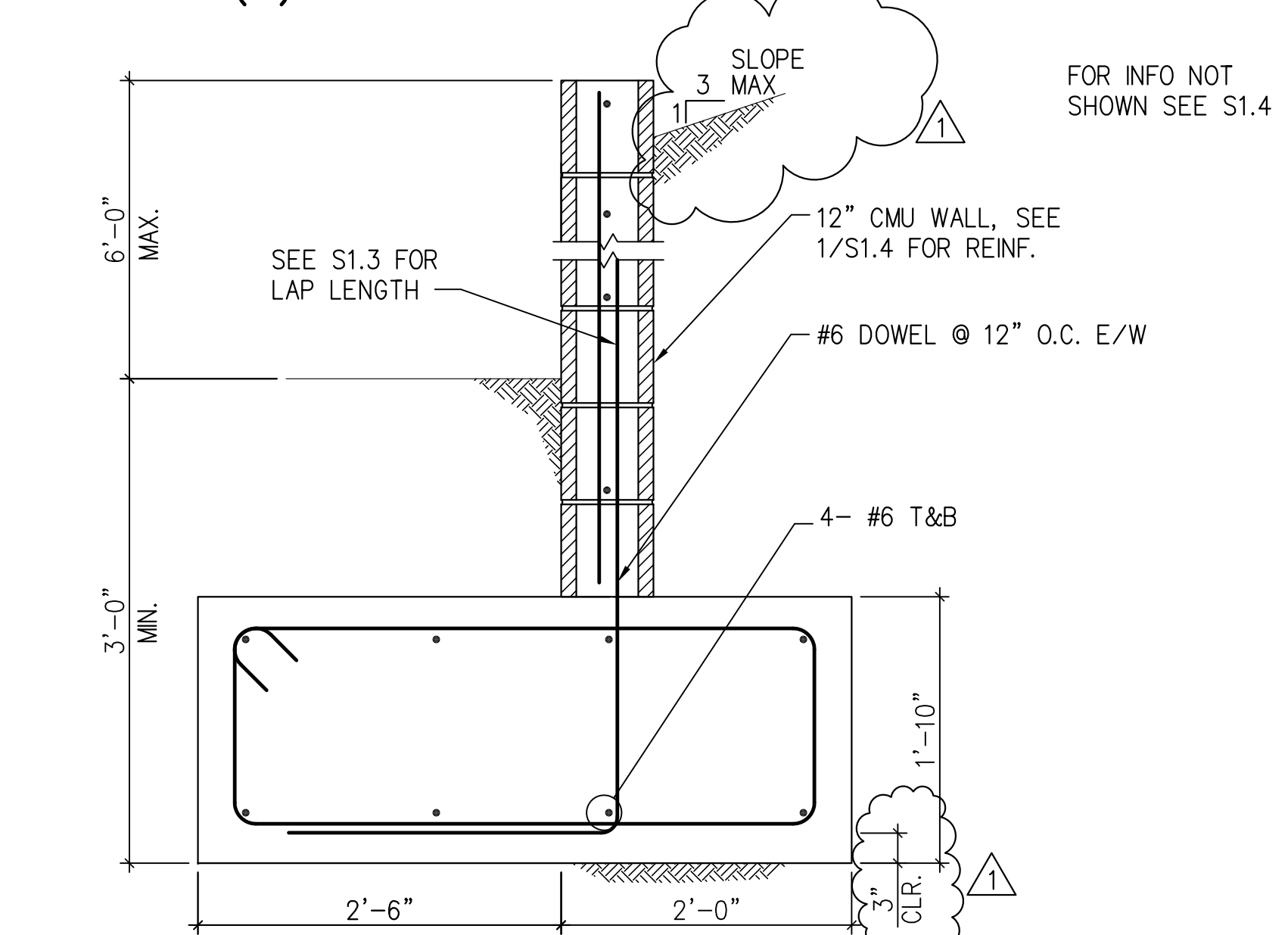
9 S4.1 SECTION THRU (N) & (E) FOUNDATIONS @ STERN HALL & CHAPEL 3/4" = 1'-0"



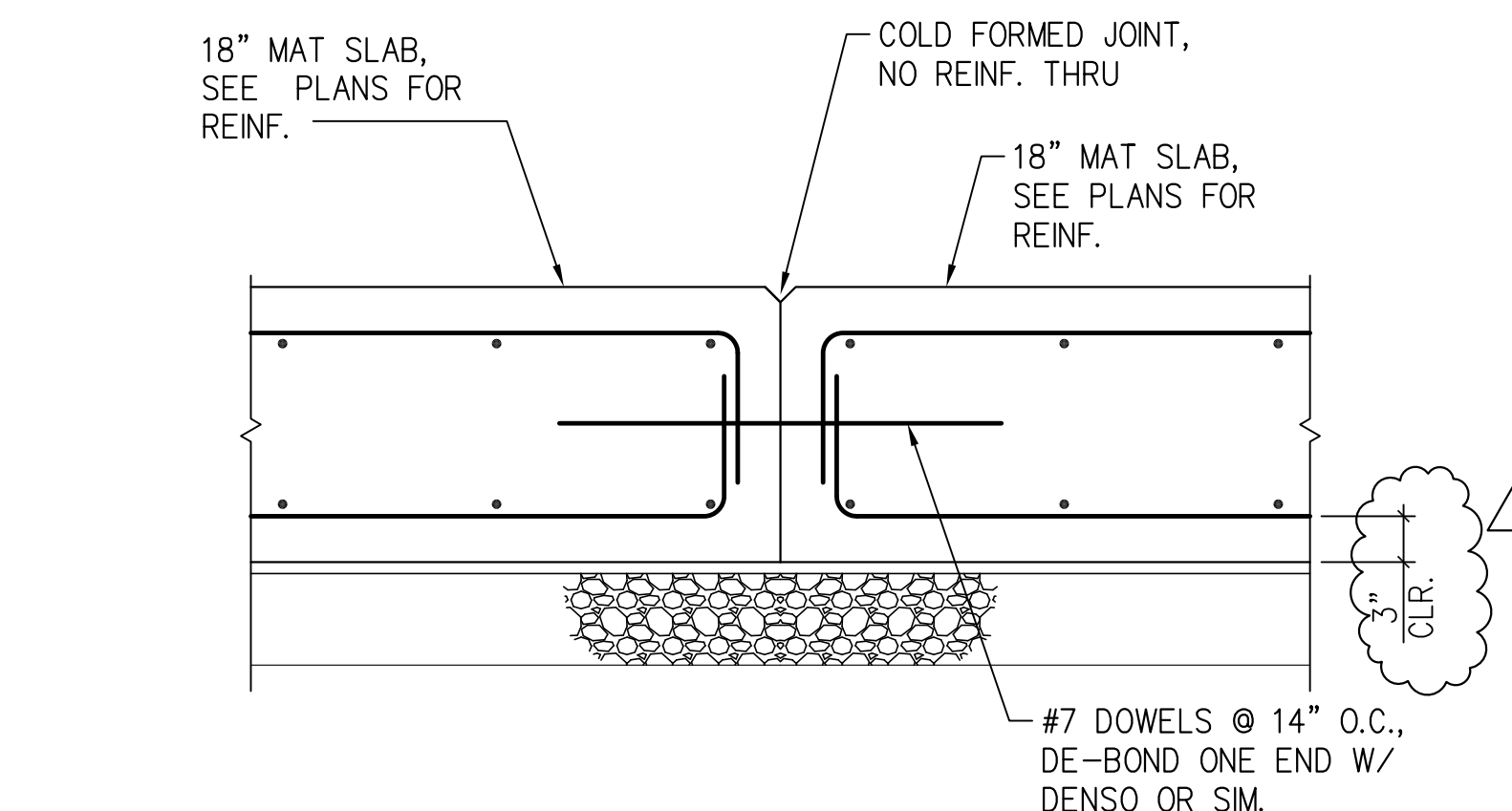
12 S4.1 4'-0" RETAINING WALL ADJACENT TO (E) FOUNDATION 1" = 1'-0"



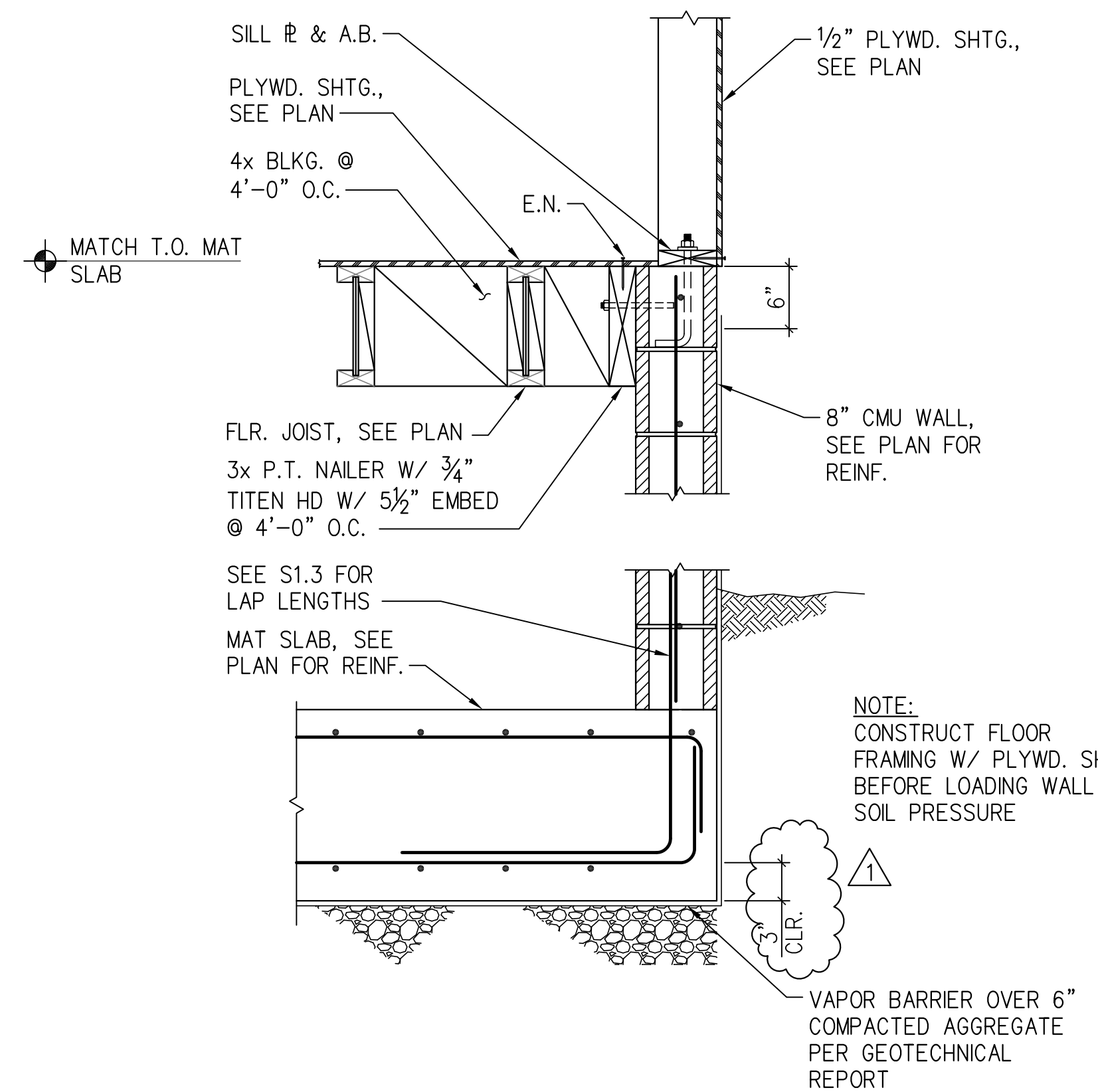
8 S4.1 TYP. CHAPEL MAT SLAB 1" = 1'-0"



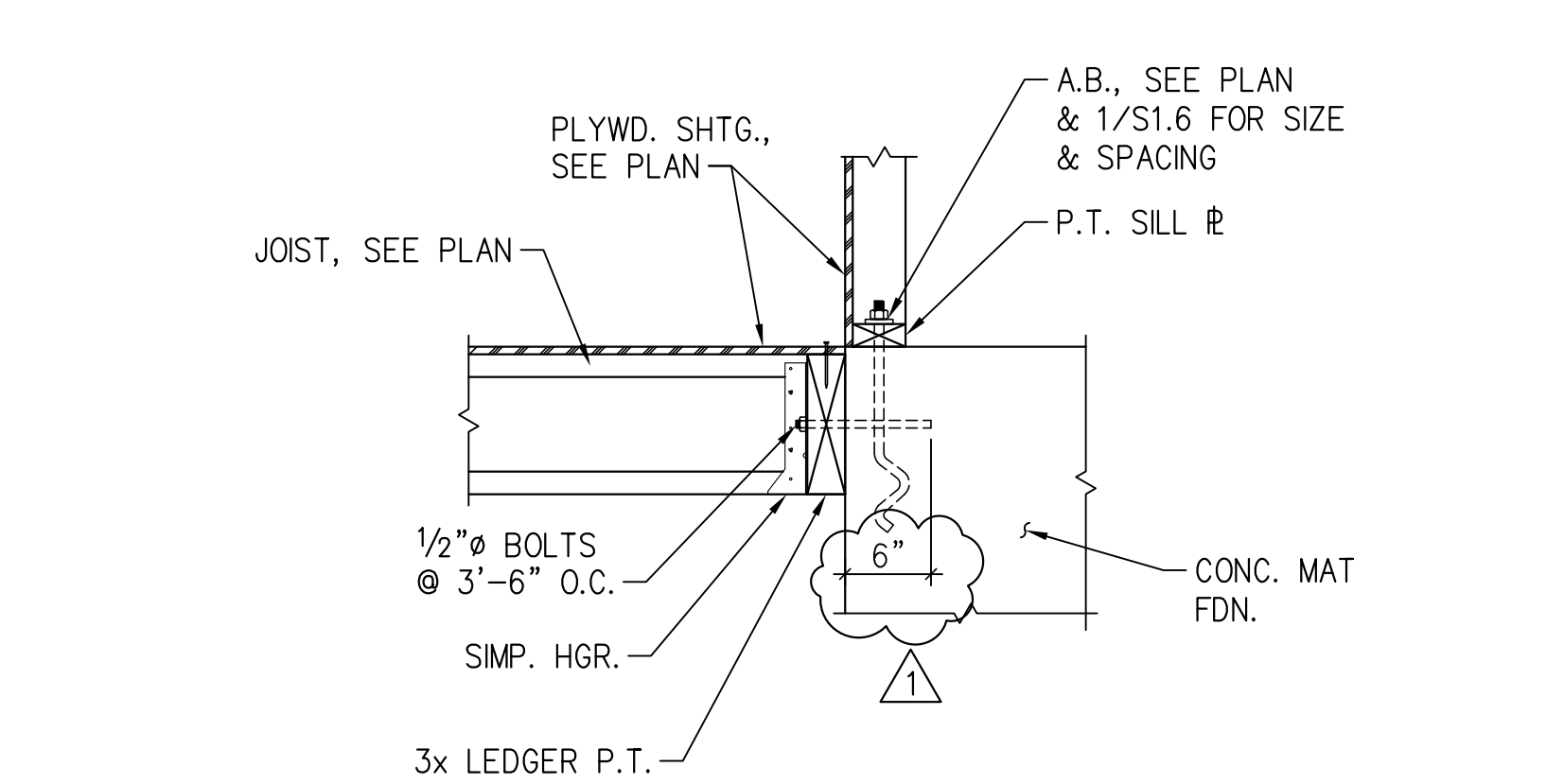
11 S4.1 TYP. 6'-0" RETAINING WALL 1" = 1'-0"



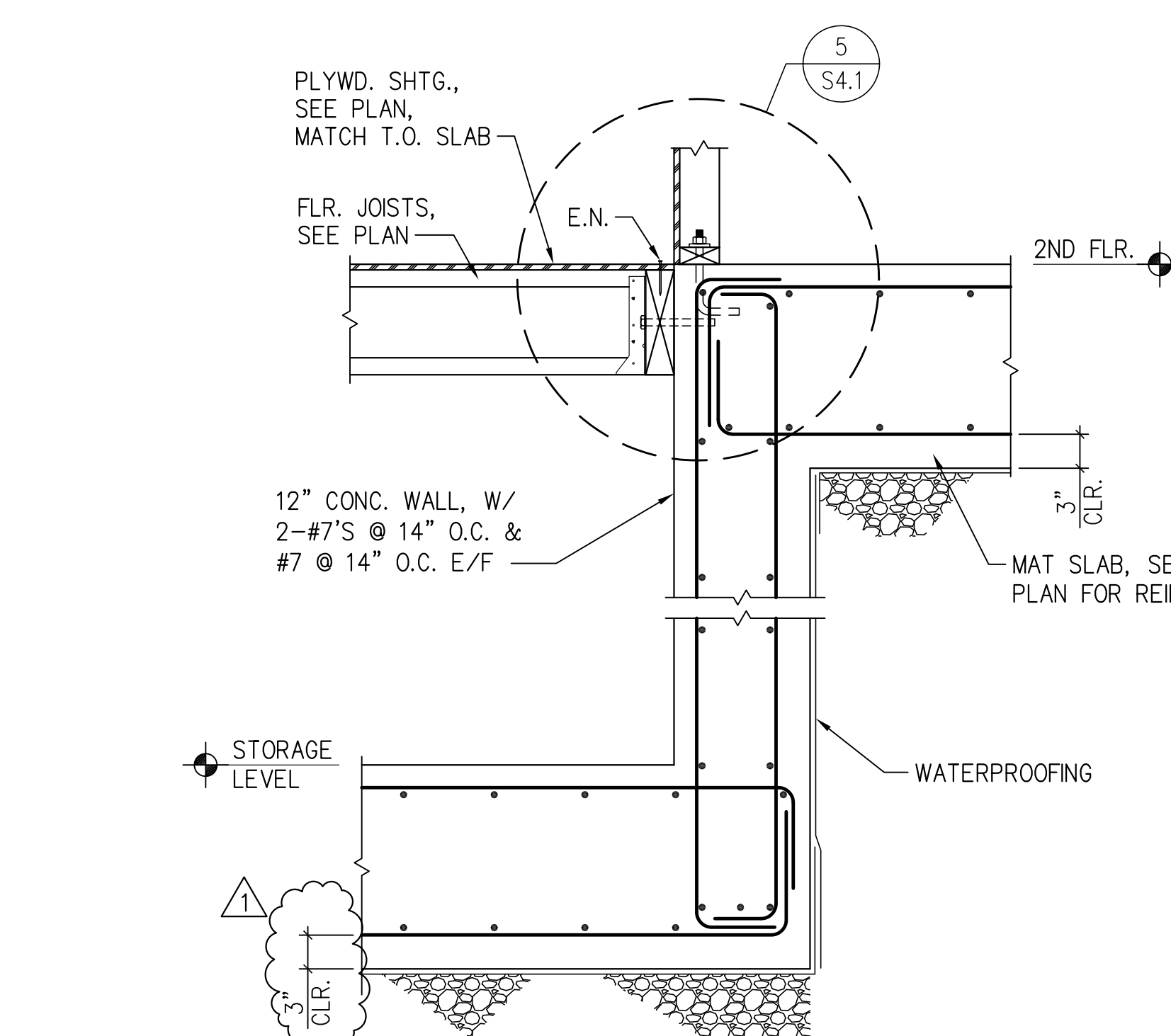
7 S4.1 CONSTRUCTION JOINT 1" = 1'-0"



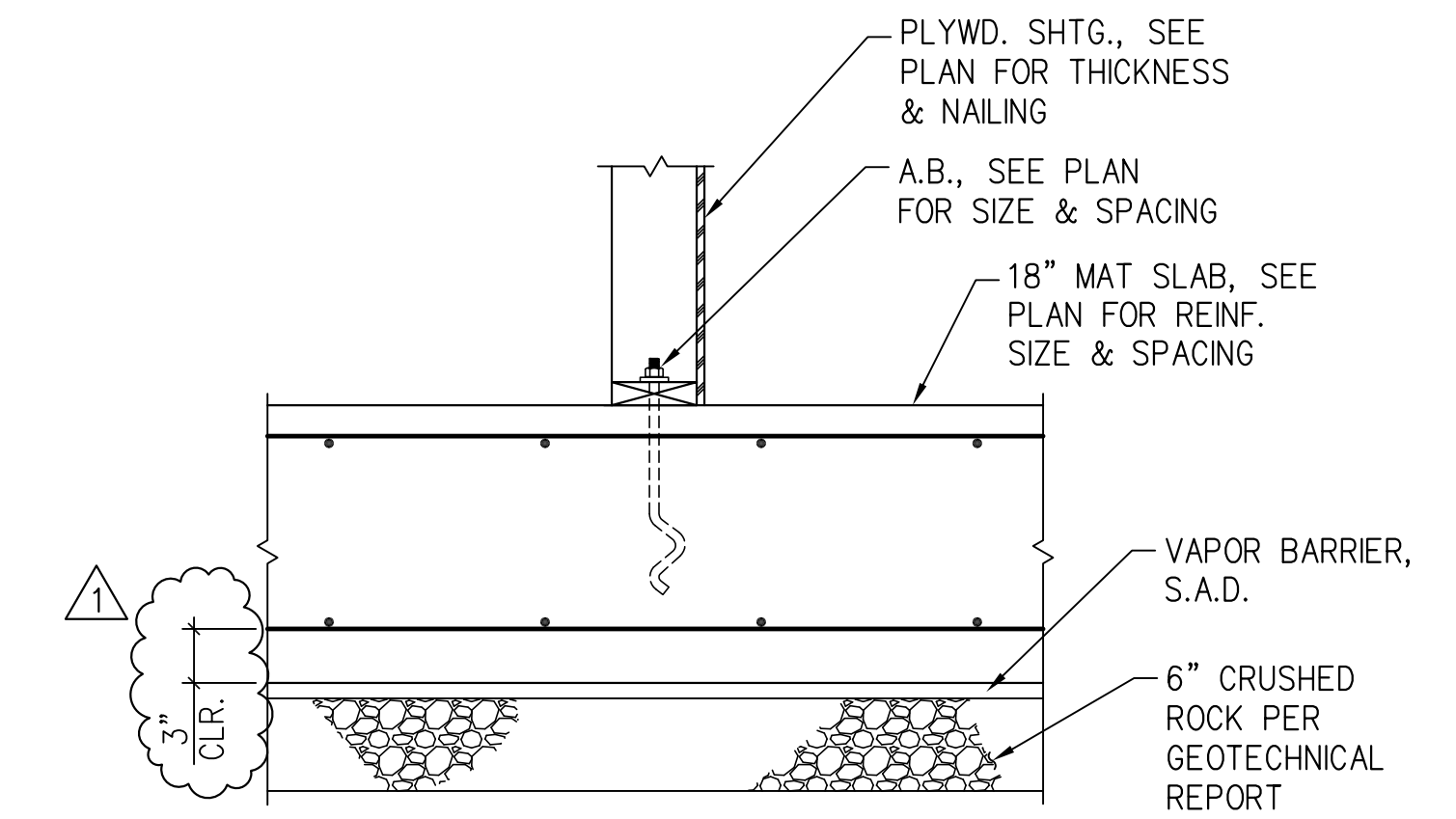
6 S4.1 CMU RETAINING WALL ON MAT SLAB 1" = 1'-0"



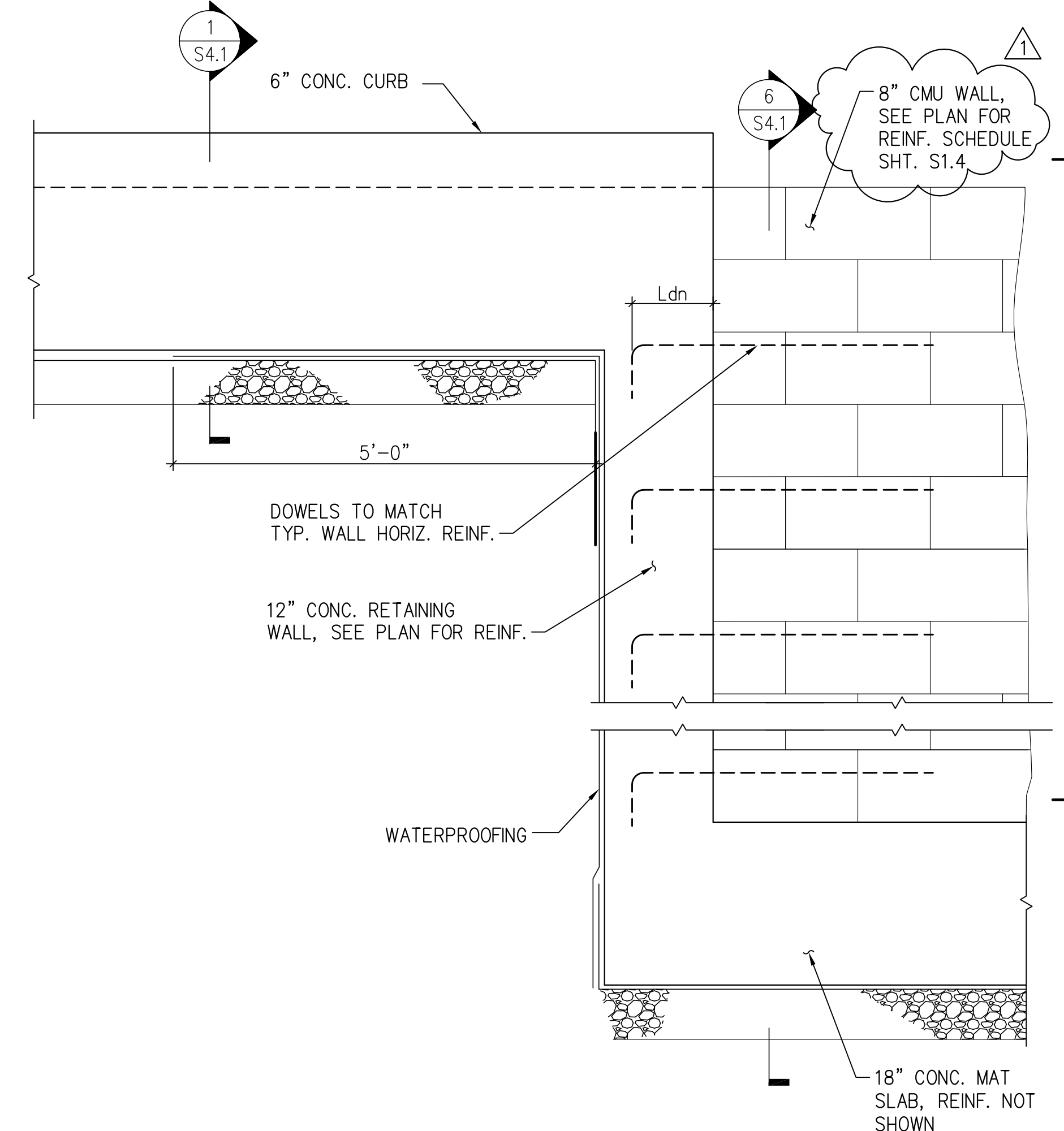
5 S4.1 FLR. JOISTS TO CONC. FLOOR 1" = 1'-0"



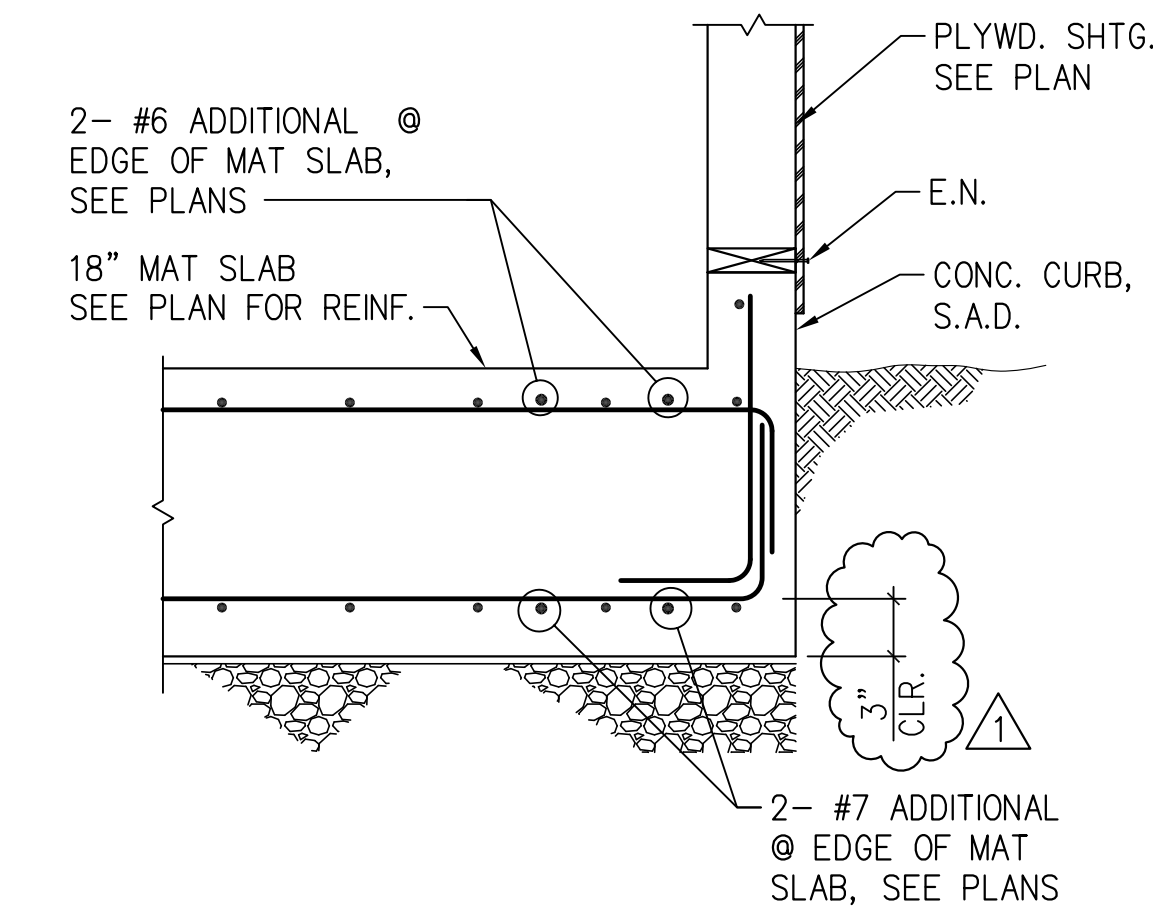
4 S4.1 MAT SLAB ELEVATION CHANGE 1" = 1'-0"



3 S4.1 MAT SLAB UNDER TYP. BEARING WALLS 1" = 1'-0"



2 S4.1 CMU TO MAT FOUNDATION 1" = 1'-0"



1 S4.1 CURB AT MAT SLAB 1" = 1'-0"