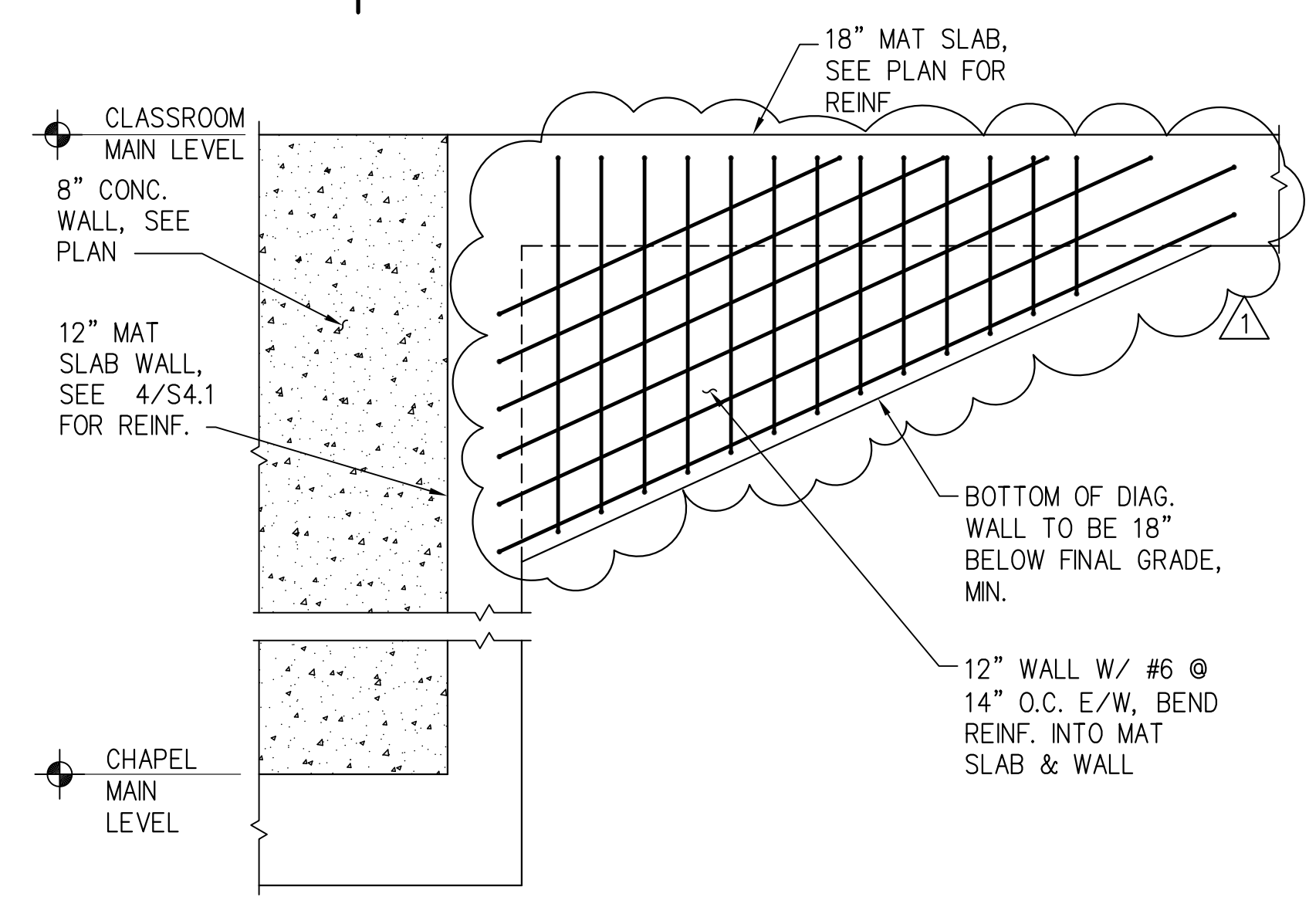
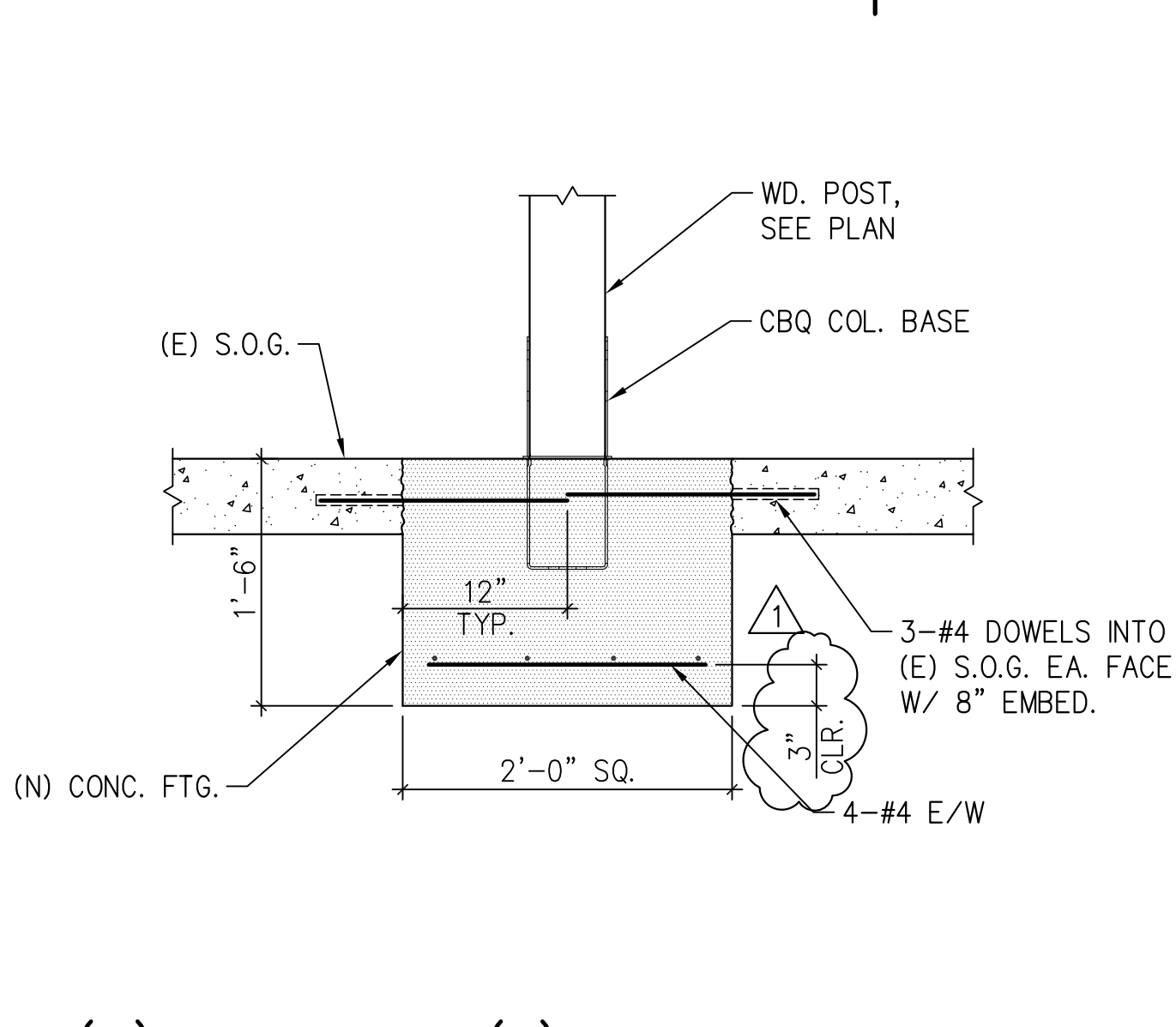


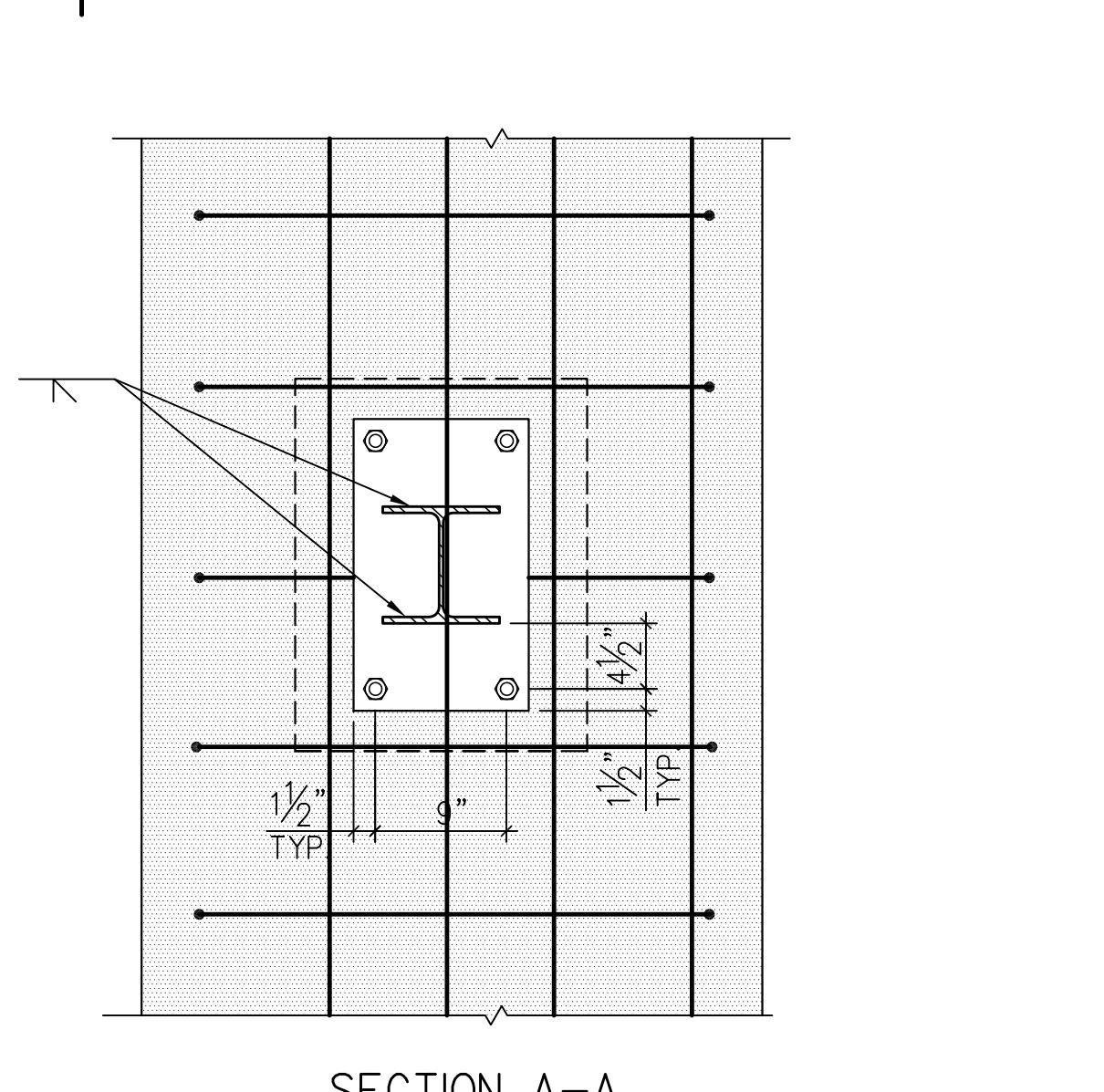
14 S4.2 CONT. FTG. BELOW COURTYARD 1" = 1'-0"



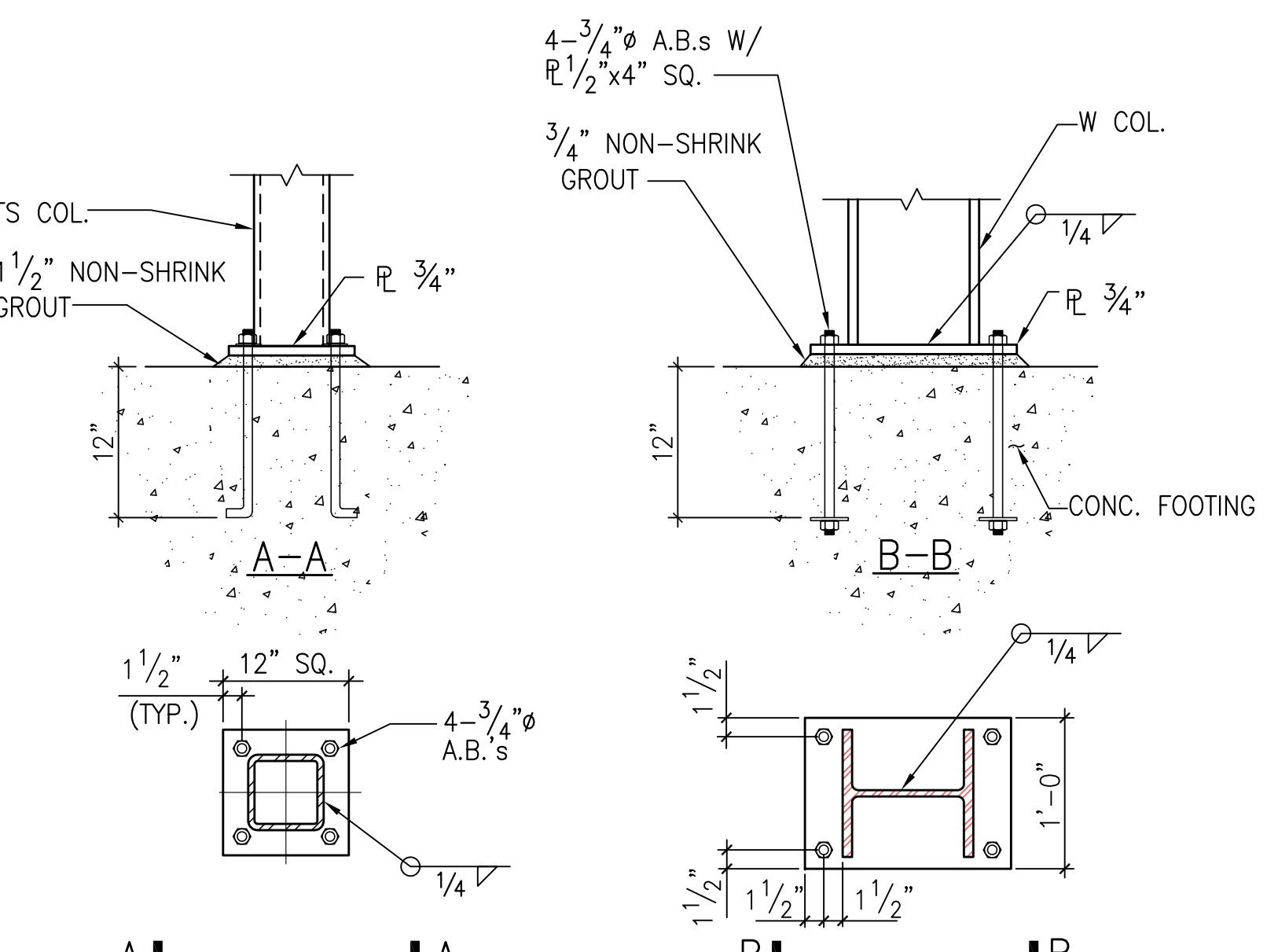
10 S4.2 DIAG. MAT SLAB WALL N.T.S.



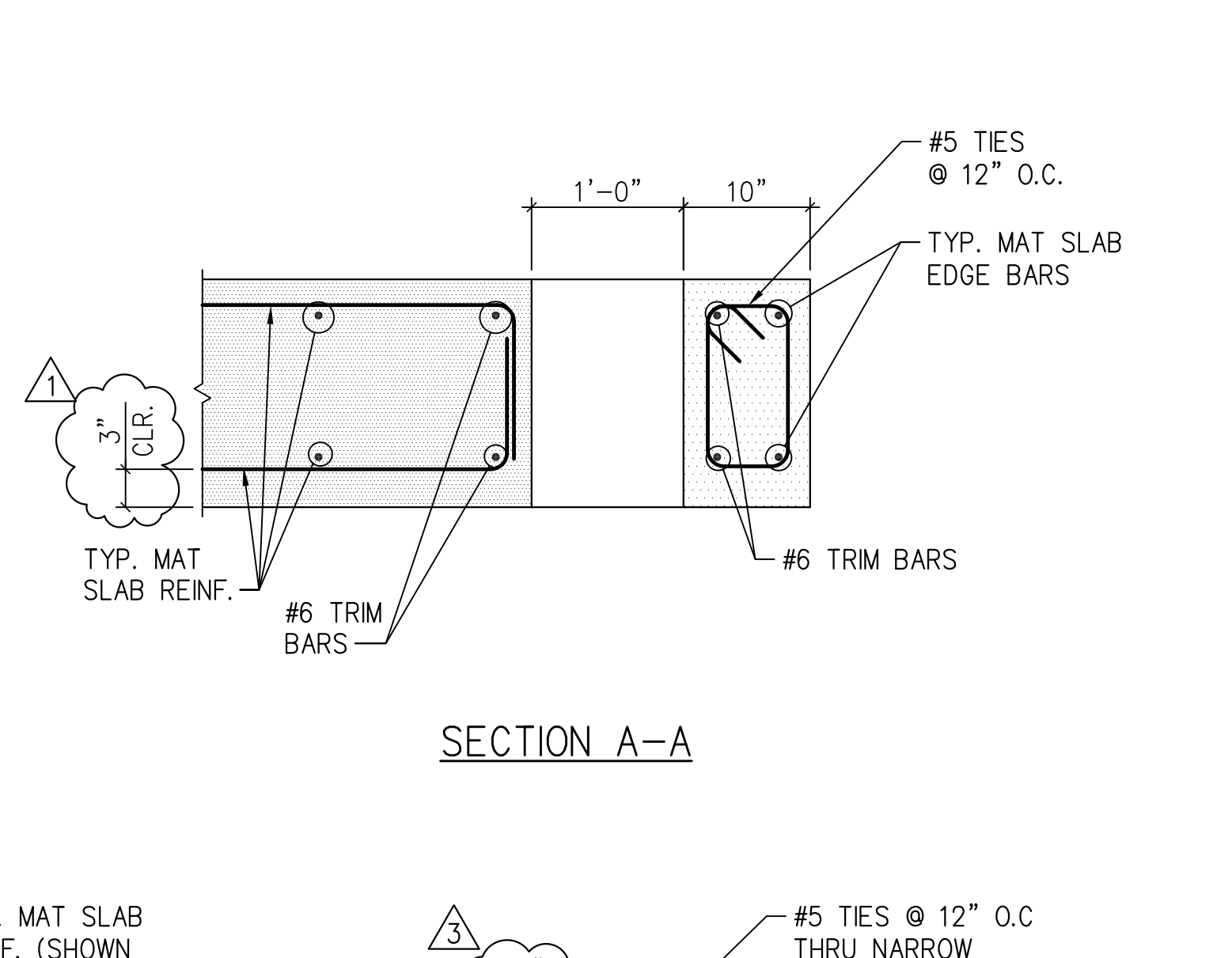
7 S4.2 (N) FTG. INTO (E) S.O.G. 1" = 1'-0"



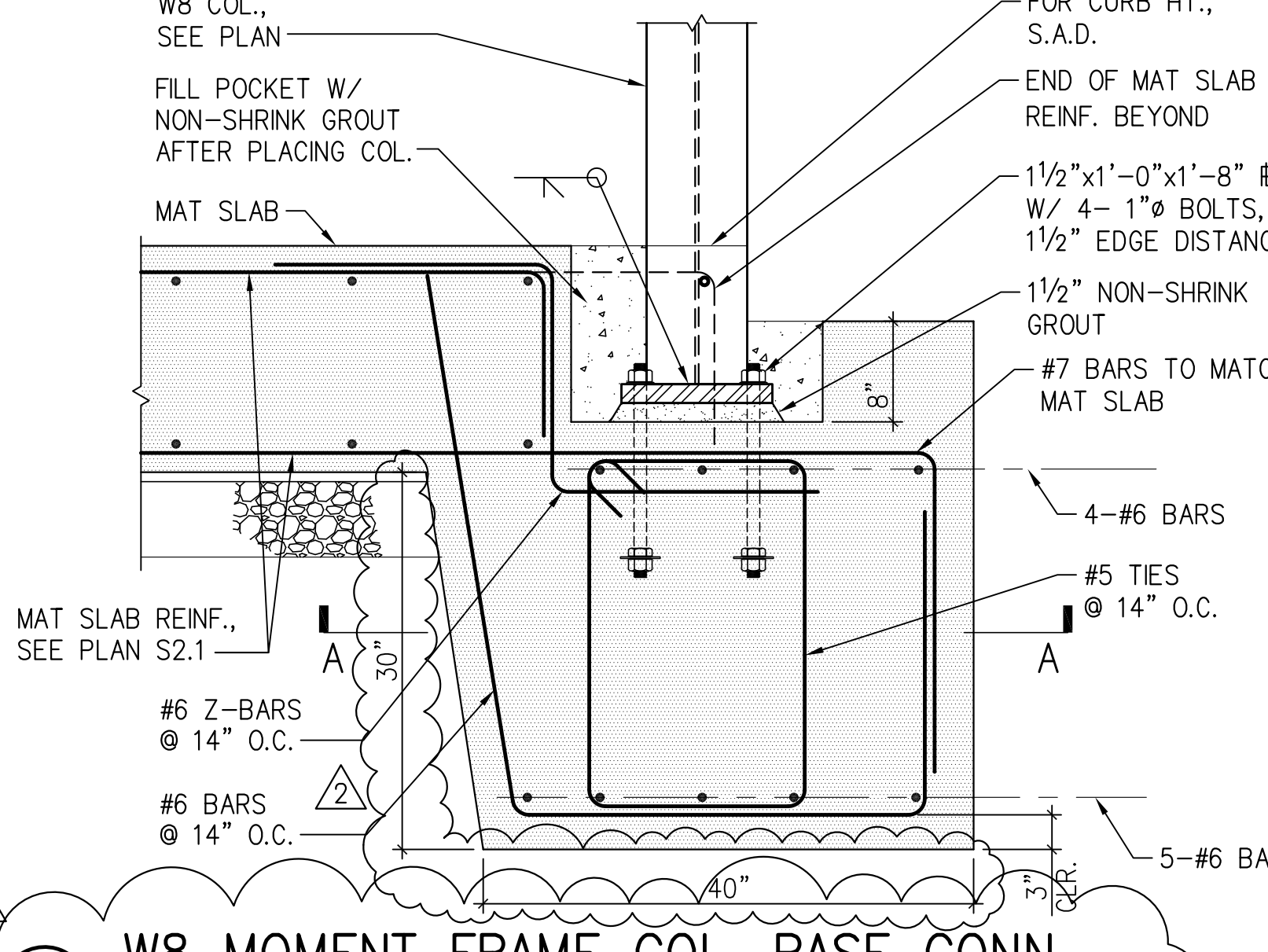
3 S4.2 W8 MOMENT FRAME COL. BASE CONN. 1" = 1'-0"



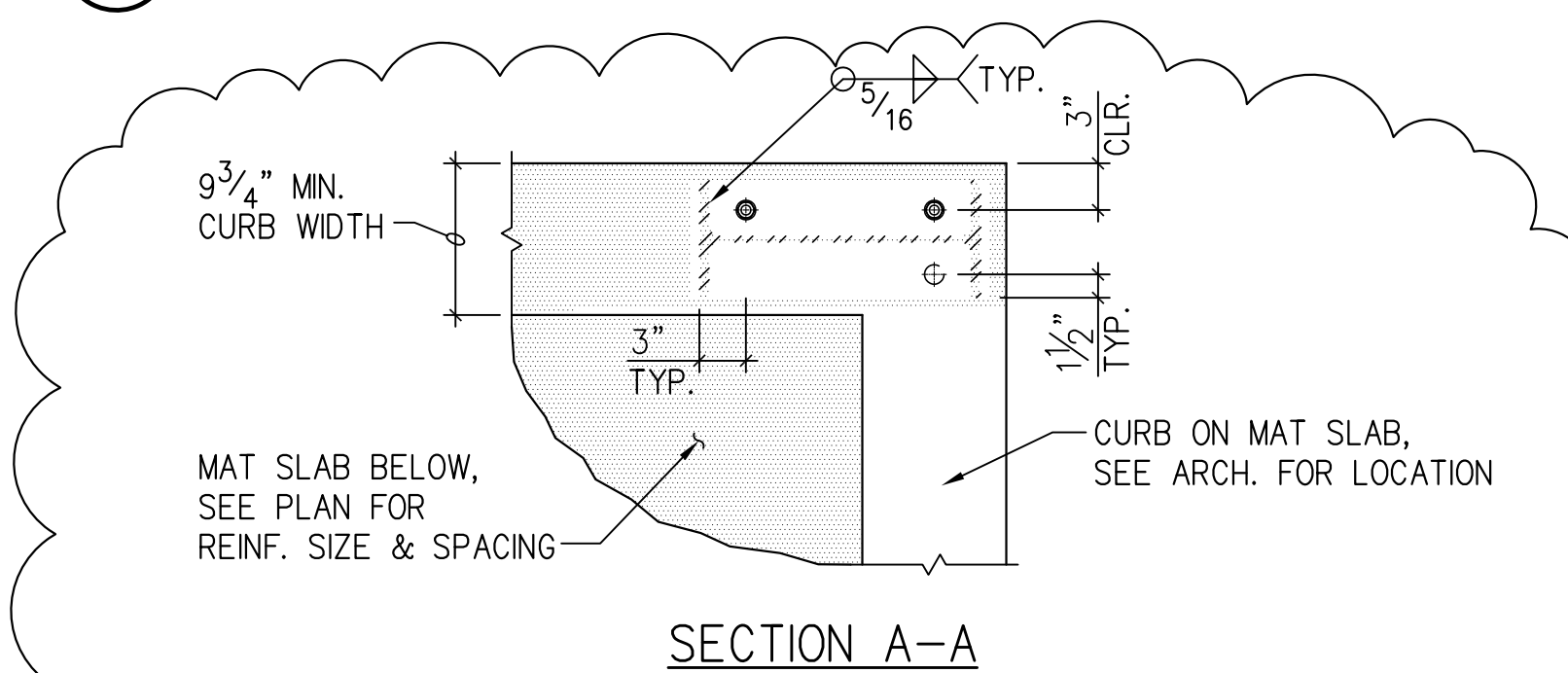
13 S4.2 TYP. STL. COL. BASE (NON-SEISMIC) 1" = 1'-0"



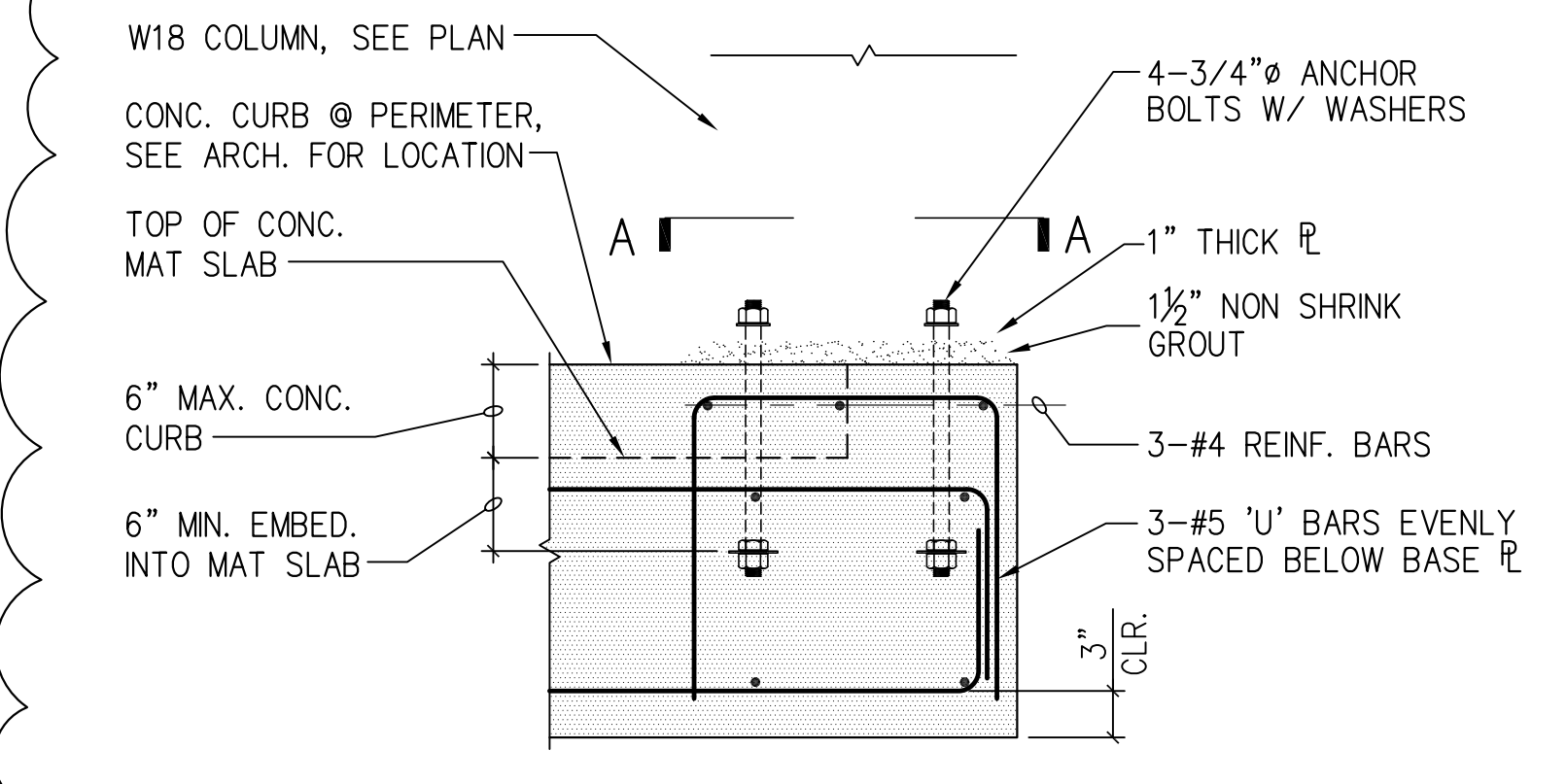
6 S4.2 TYP. TS BASE PLATE TO FDN. 1" = 1'-0"



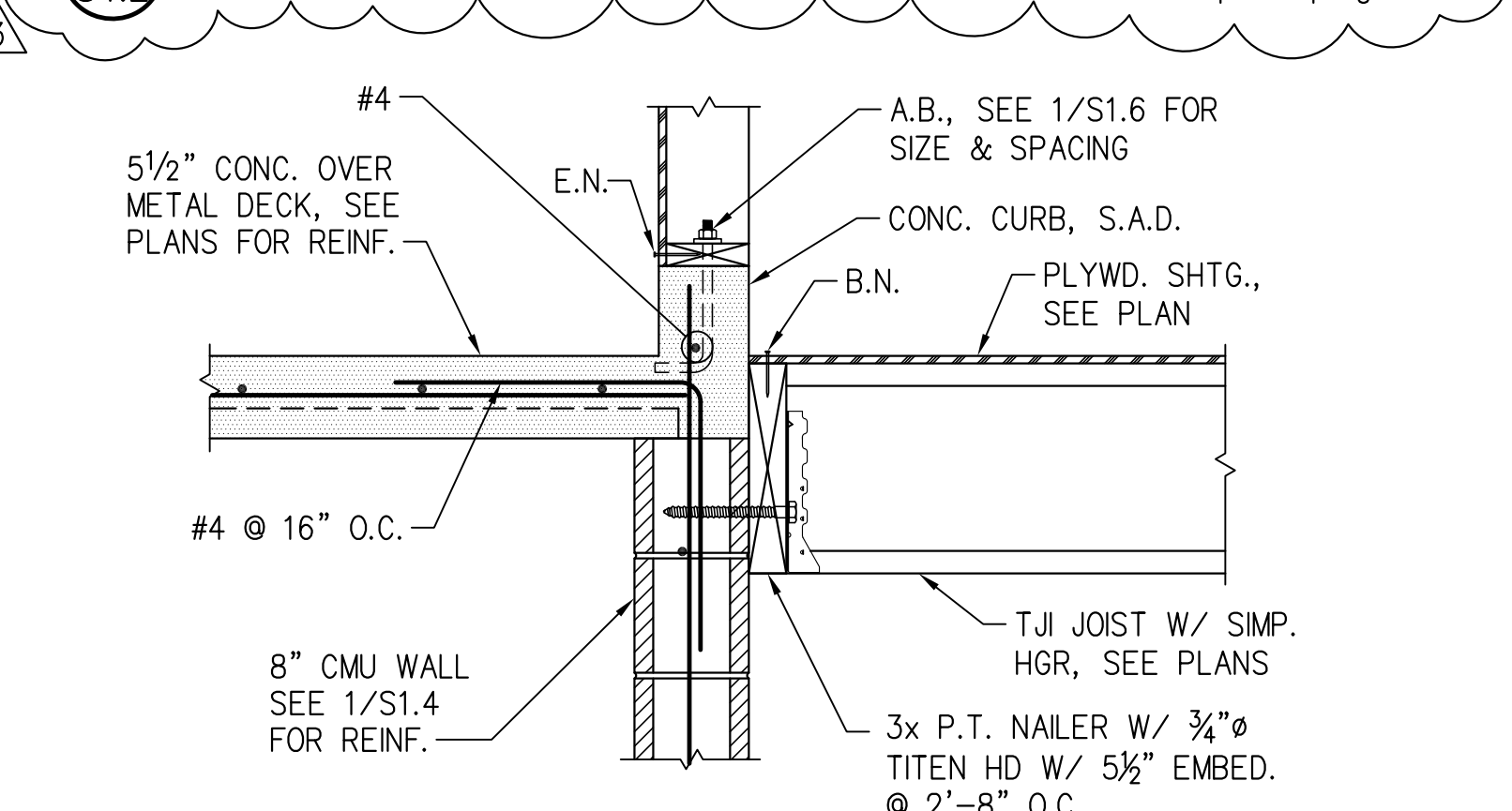
2 S4.2 CONC. OVER METAL DECK & S.O.G. TO CMU WALL 1" = 1'-0"



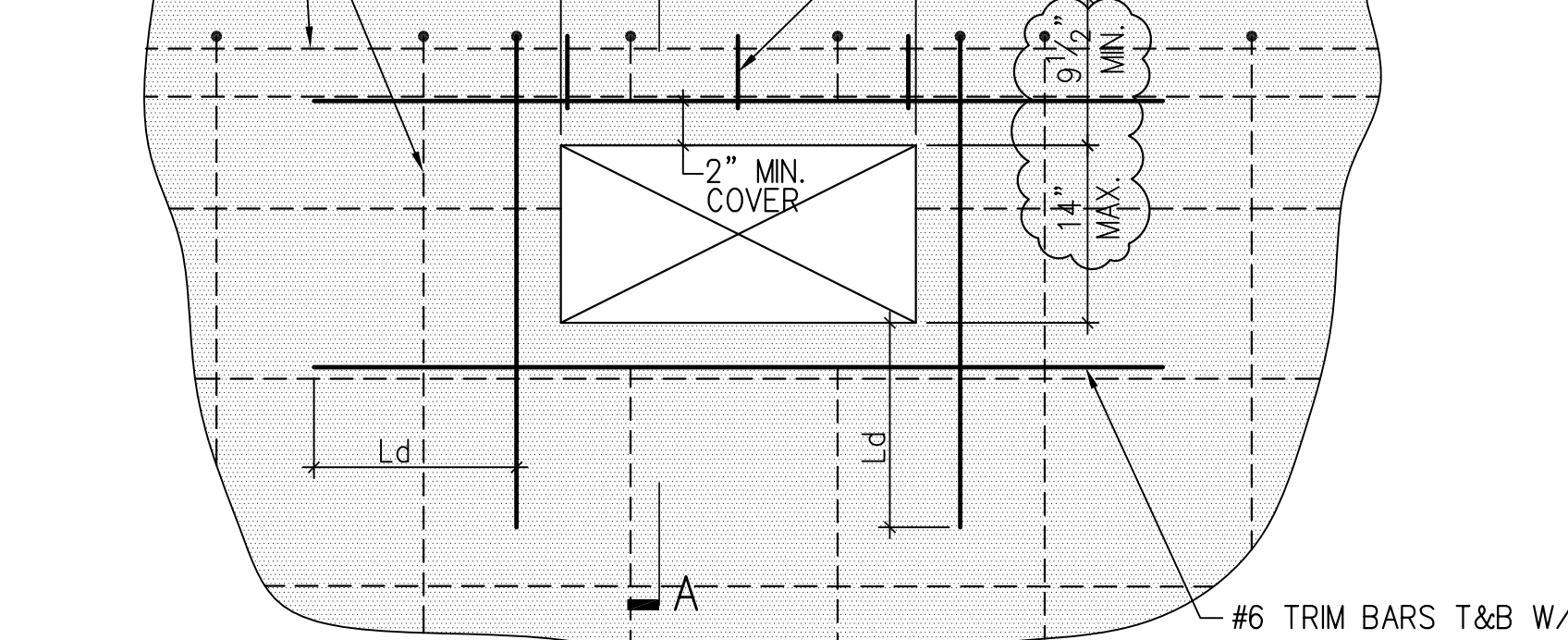
12 S4.2 W18 TO CONC. CURB FOUNDATION 1" = 1'-0"



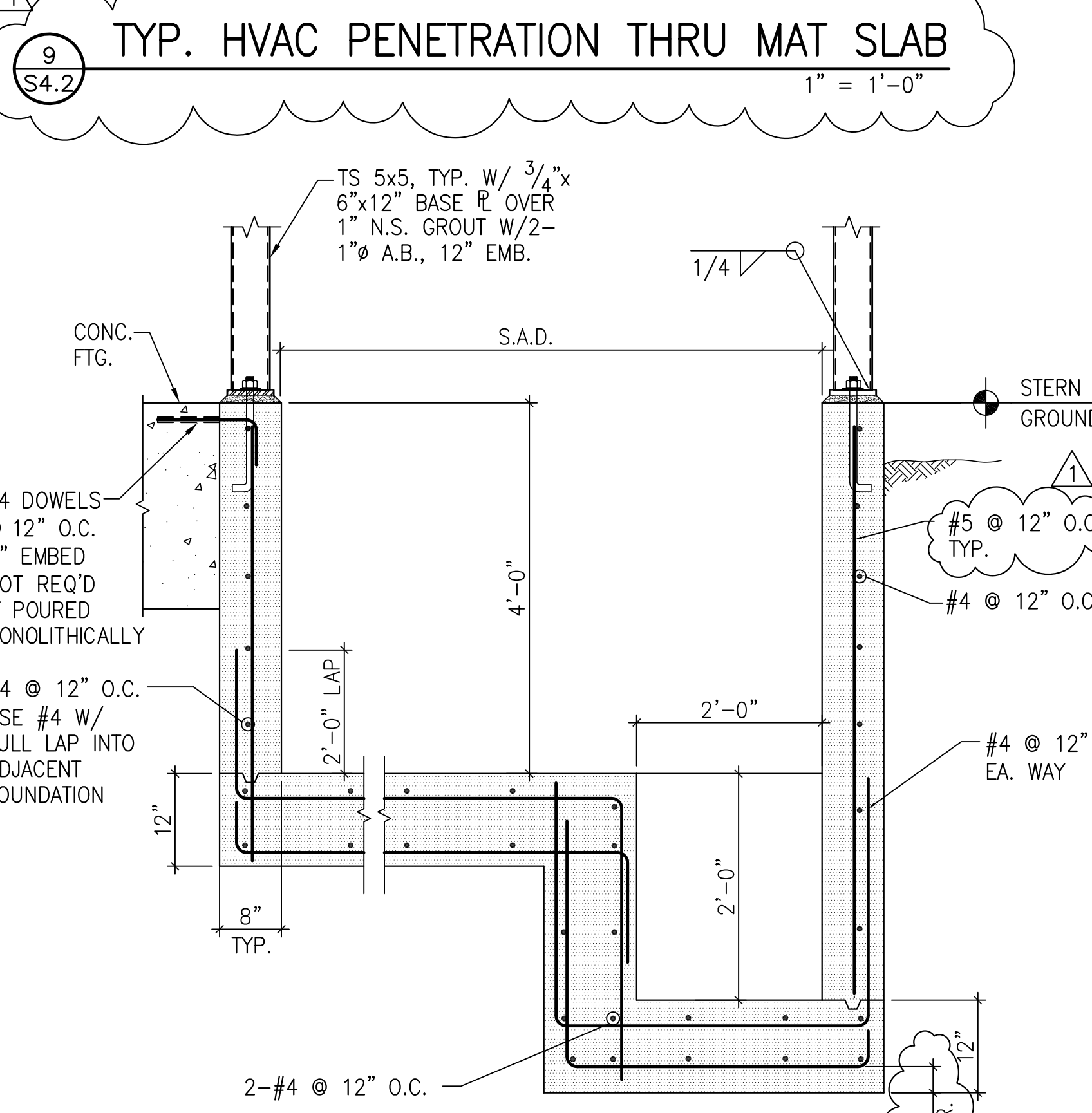
11 S4.2 CONC. OVER METAL DECK & JOISTS TO CMU WALL 1" = 1'-0"



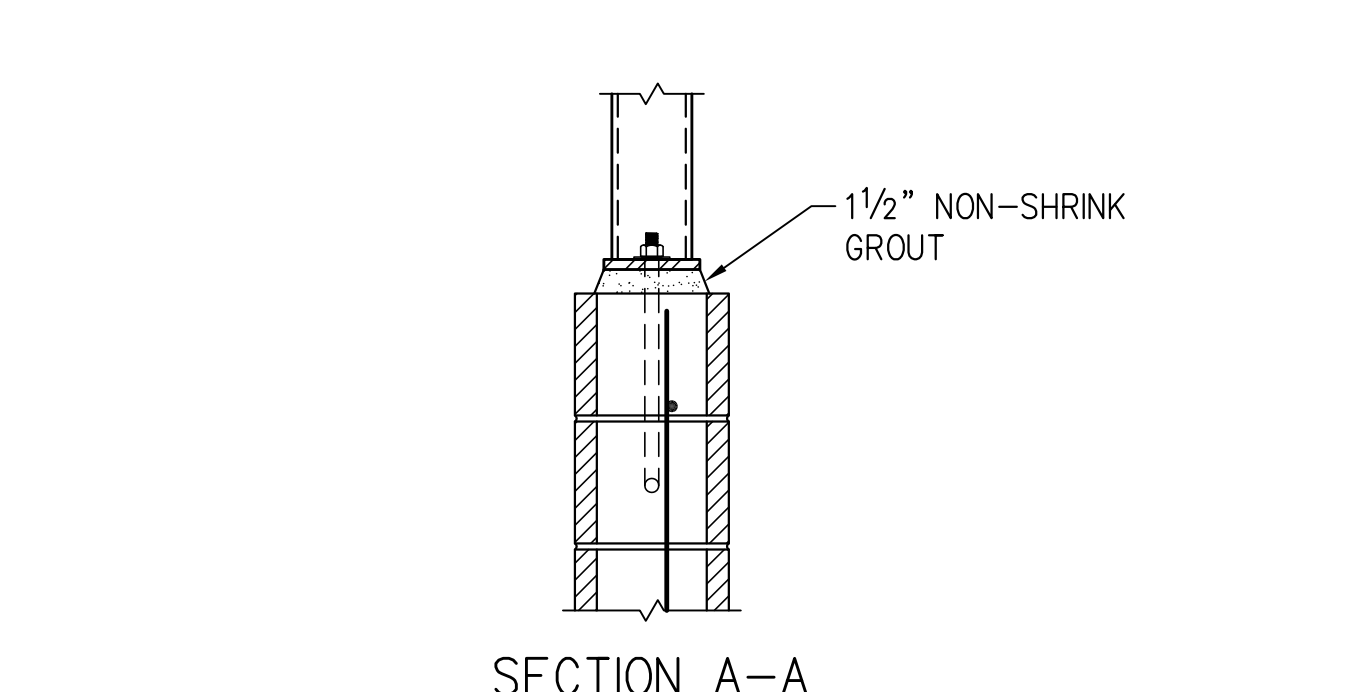
8 S4.2 TYPICAL ELEVATOR PIT W/SUMP PIT N.T.S.



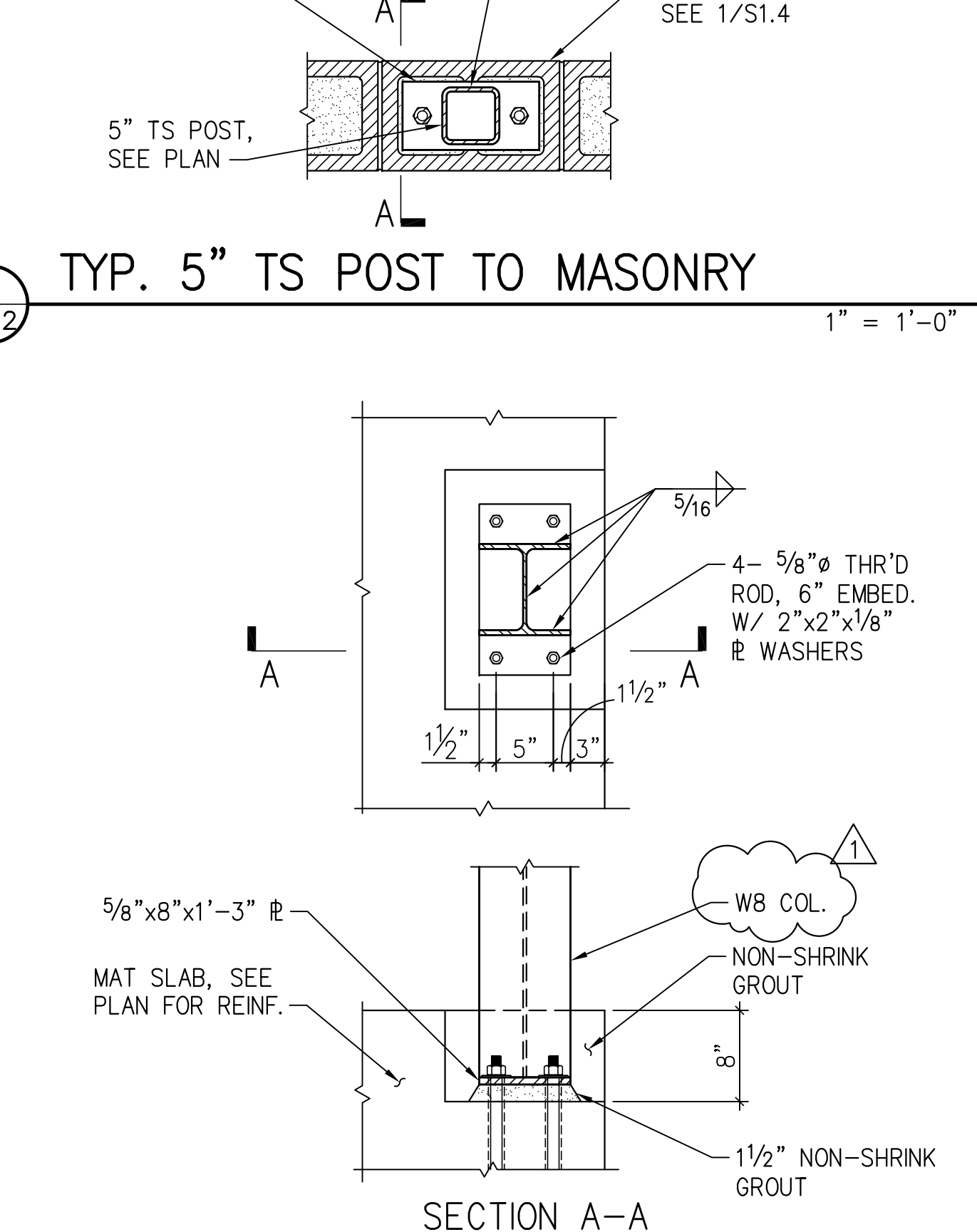
9 S4.2 TYP. HVAC PENETRATION THRU MAT SLAB 1" = 1'-0"



5 S4.2 TYP. 5" TS POST TO MASONRY 1" = 1'-0"



4 S4.2 W8 COLUMN @ OPEN WALKWAY TO FDN. 1" = 1'-0"



1 S4.2 CONC. OVER METAL DECK & S.O.G. TO CMU WALL 1" = 1'-0"